

# CONTRACOR®

Blast Cabinets

## CAB-110S/CAB-135S

INSTRUCTIONS

**Version 3.9**

Strahlkabinen

BEDIENUNGSANLEITUNG

**Version 3.9**

Seite 38

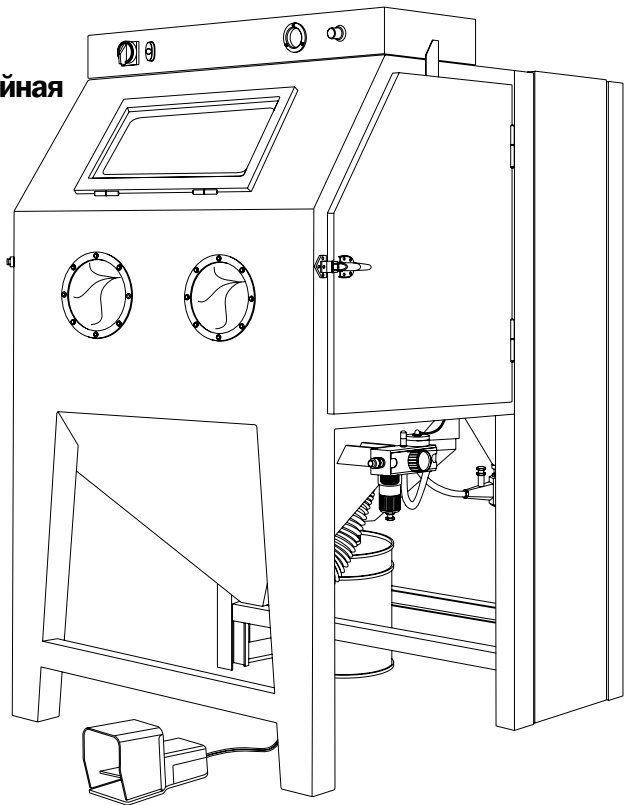
Кабина абразивоструйная

РУКОВОДСТВО

ПОЛЬЗОВАТЕЛЯ

**Версия 3.9**

стр. 75



ENGLISH

DEUTSCH

РУССКИЙ



# Table of contents

<b>1. Safety</b>	<b>4</b>
<b>2. Package and description</b>	<b>5</b>
<b>3. General information</b>	<b>9</b>
<b>4. Set-up, operation and shut-down</b>	<b>11</b>
<b>5. Maintenance</b>	<b>18</b>
<b>6. Troubleshooting</b>	<b>23</b>
<b>7. Replacement parts</b>	<b>27</b>



## **ATTENTION!**

**READ AND FULLY UNDERSTAND THIS MANUAL BEFORE STARTING WORK.**

**THE FOLLOWING INFORMATION IS IMPORTANT FOR SAFETY AND HEALTH OF OPERATOR AND PERSONNEL IN VICINITY.**



## **ATTENTION!**

**BUYING THE MACHINE, PLEASE, REQUEST TO FILL IN THE GUARANTEE CARD CORRECTLY!**

**FAILURE TO PRODUCE A FILLED-IN FORM WILL MAKE YOUR GUARANTEE INVALID.**

# 1. Safety

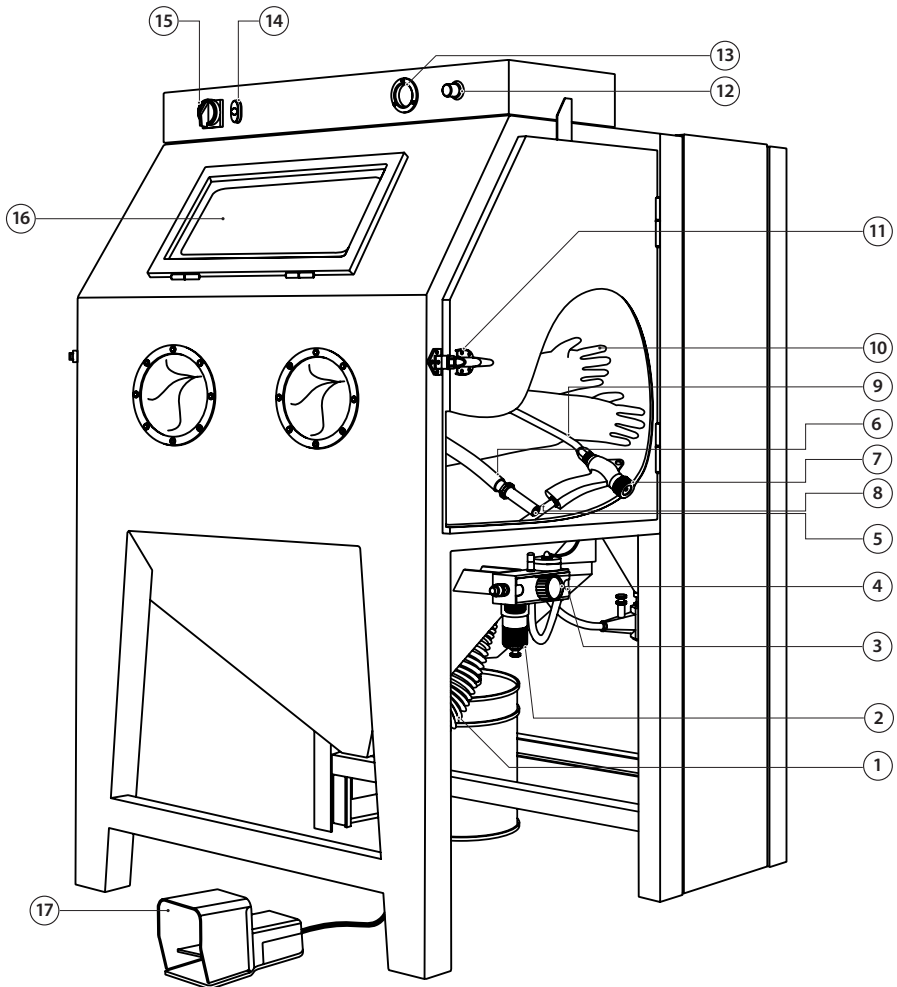


## ATTENTION!

### **SAFETY MEASURES FOR BLAST CABINET OPERATION.**

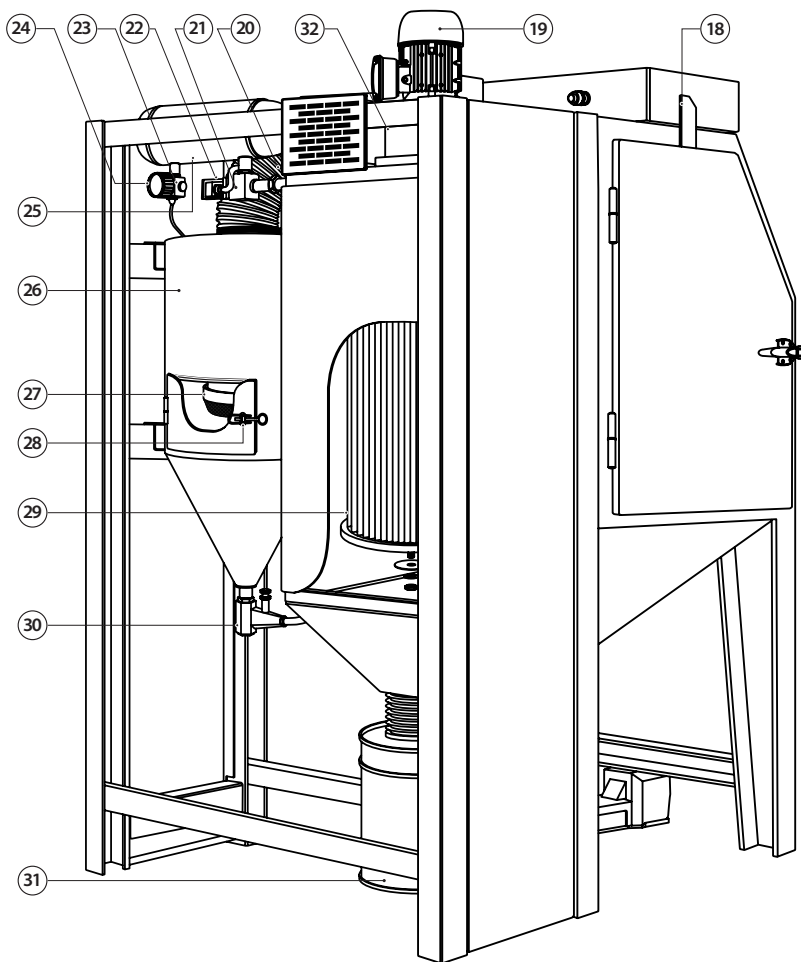
- 1. You must wear protective gloves during abrasive blasting.**
- 2. Do not use worn or damaged equipment during operation.**
- 3. Point the nozzle only at the area to be cleaned. Never point the nozzle toward the cabinet windows.**
- 4. Use only dry well-sieved abrasive materials, appropriate for abrasive blasting operations.**
- 5. Before starting of blast cabinet operation you must:**
  - Ensure that gloves, gaskets, hoses and fittings are not worn;**
  - Fix hose couplings with wire, if the couplings are used;**
  - Ensure that the cabinet is grounded;**
- 6. During blasting process all doors on the cabinet, reclaimers or dust collector must be closed.**
- 7. After blasting, before the doors are opened and exhausters are switched off, use the blow nozzle to blow media from the blasted parts.**
- 8. Do not open the doors or switch off exhausters before the cabinet is clear of abrasive dust.**

## 2. Package and description



ENGLISH

**Picture 1.** Cabinet components overview CAB-110S/135S (Front view)



**Picture 2.** Cabinet componets overview CAB-110S/135S (Back view)

Pos. No	Description
1	Conveying hose Ø 100
2	Airline Filter
3	Pressure regulator, pilot operated

4	Pressure gauge
5	Air blow-off nozzle, rubber
6	Rubber hose for air blow-off nozzle
7	GX Manual blast gun
8	Blast media hose, transparent
9	Rubber air hose
10	RGS Blast cabinet gloves
11	Cabinet door latch
12	Pressure regulator, working pressure
13	Panel mounting pressure gauge, working pressure
14	Double pushbuttons ON / OFF
15	Main switch O-I
16	Viewing window (assembly)
17	Pneumatic foot pedal
18	Door interlock
19	Electric motor
20	Ventilation hose Ø 150
21	Diaphragm pulse-jet valve
22	Electronic timer for pulse-jet valve
23	Pressure regulator, pulse-jet cleaning
24	Pressure gauge
25	Pulse-jet cleaning manifold
26	Reclaimer assembly R-350 / R-400
27	Screen
28	Reclaimer door latch
29	Filter cartridge
30	Metering valve, blast media
31	Dust container
32	Impeller for DC-1100 / 1500

## 2.1 Package

**Table 2.1**

Order code	Model	Description, package
15105	CAB-110S	<p>BLAST CABINET, COMPLETE SYSTEM, CONSIST</p> <ul style="list-style-type: none"> <li>- Cabinet Enclosure</li> <li>- Cyclone reclaimer R-350</li> <li>- Cartridge Dust Collector DC-1100</li> </ul> <p>STANDARD DELIVERY:</p> <ul style="list-style-type: none"> <li>- Quality 800 mm blast gloves with inner fabric lining</li> <li>- Manual suction blast gun GX</li> <li>- GXT-8,0 tungsten carbide gun nozzle Ø 8mm</li> <li>- Reclaimer metering valve</li> <li>- Main airline filer with 5µ filtration grade</li> <li>- Pilot regulated blast pressure</li> <li>- Door safety interlocks</li> <li>- Pulse cleaned cartridge filter 10 m<sup>2</sup></li> </ul> <p>Electrical connection 1,10 kW, 380V, 3 phase, 50Hz            Overall Dimensions (W x D x H) 1340 x 1220 x 1990            Working chamber size (W x D x H) 1100 x 800 x 840            Window size (Safety glass) 476 x 296</p>
15106	CAB-135S	<p>BLAST CABINET, COMPLETE SYSTEM, CONSIST</p> <ul style="list-style-type: none"> <li>- Cabinet Enclosure</li> <li>- Cyclone reclaimer R-400</li> <li>- Cartridge Dust Collector DC-1500</li> </ul> <p>STANDARD DELIVERY:</p> <ul style="list-style-type: none"> <li>- Quality 800 mm blast gloves with inner fabric lining</li> <li>- Manual suction blast gun GX</li> <li>- GXT-8,0 tungsten carbide gun nozzle Ø 8mm</li> <li>- Reclaimer metering valve</li> <li>- Main airline filer with 5µ filtration grade</li> <li>- Pilot regulated blast pressure</li> <li>- Door safety interlocks</li> <li>- Pulse cleaned cartridge filter 15 m<sup>2</sup></li> </ul> <p>Electrical connection 1,50 kW, 380V, 3 phase, 50Hz            Overall Dimensions (W x D x H) 1470 x 1700 x 2140            Working chamber size (W x D x H) 1350 x 1100 x 1070            Window size (Safety glass) 476 x 296</p>



# 3. General information

## 3.1. General information.

Contracor abrasive blast cabinet encloses the blasting environment to provide efficient blast cleaning while maintaining a clean surrounding work area.

Production rates of the blast cabinets are dependent on size of nozzle, compressor capacity, working pressure, type and size of abrasive media and distance between the nozzle and the cleaning surface.

Contracor suction type blast cabinets consist three modules:

1. Ruggedly built welded steel cabinet enclosure.
2. Cyclone reclaimer for maximum efficiency in controlling media recycling.
3. Dust collector with high efficient fan and pulse cleaned cartridge filter.

## 3.2. Theory of operation.

When the air supply is on, and the cabinet doors are closed, the blast machine is ready for operation by actuating the foot pedal. Fully depressing the foot pedal causes air to flow through the blast gun. Air moving through the gun draws media into the blast gun mixing chamber. The media mixes with the air and is propelled out the nozzle.

After striking the object being blasted, the blast media, along with fines, dust, and by-products generated by blasting, fall through the mesh screen into the cabinet hopper. These particles are drawn into the reclaimer for separation. Dust and fines are first separated from the reusable blast media. Next, the media is screened of oversize particles, and held in the reclaimer hopper for reuse. At the same time, dust and fines are drawn through the reclaimer into the dry filter or dust collector, which traps the dust and discharges clean air. When the foot pedal is released, the blasting stops.

The dust collector filter cartridge is cleaned by a pulse of high velocity compressed air expanding against the inner surface of the cartridge. An electronic timer controls the time intervals between the pulses. The expanding air momentarily reverses airflow through the

cartridge to release dust accumulated on the outer surface. The dust particles fall away from the cartridge and into the hopper for removal.

### 3.3 Air jet diameter and required compressed air volume.

A wide assortment of air jet sizes and nozzle orifices are available for exact calibration of maximum performance.

The size of the compressor required to operate the cabinet depends on the size of the air jet and blasting pressure. See table 3.1 Compressed air requirements.

In standard delivery cabinets are shipped with the suction blast gun GX equipped with Ø4mm air jet and Ø8mm blast nozzle.

**Table 3.1** Compressed air requirements

Ø Air jet (mm)	Ø Blast nozzle (mm)	REQUIRED AIR VOLUME (m <sup>3</sup> /min.) at working pressure, bar									
		2	3	4	5	6	7	8	10	12	
3,2	6,0	0,245	0,326	0,406	0,487	0,568	0,649	0,730	0,891	1,050	
4,0	8,0	0,436	0,579	0,723	0,865	1,010	1,150	1,300	1,585	1,870	
5,0	10,0	0,681	0,905	1,130	1,350	1,580	1,800	2,030	2,480	2,930	

### 3.4. Blast media.

Contracor cabinets utilize most common media, 1,50 mm and coarser that is specifically manufactured for dry blasting.

The usable media mesh size and nozzle size are based on typical media flow. Rich media flow or low static pressure will reduce the mesh and nozzle size that may be used.

**Steel blast media:** Still grit or shot can be limited used with CAB-110S and CAB-135S cabinets (max. mesh size ca. 0,80 mm). Rubber curtains should be used to protect the cabinet walls from rapid wear.

**Sand and Slag:** Sand should never be used because of the respiratory hazards associated with the use of using media containing free silica.



## ATTENTION!

**Abrasive blasting with sands containing crystalline silica can cause serious or fatal respiratory disease.**

Slags are not recommended because they rapidly breakdown.

**Aluminum Oxide, Silicon Carbide, and Garnet:** Aggressive media such as these may be used but consideration should be given to accelerated wear on any part of the cabinet, reclaimers, nozzle and hoses which come in contact with the media.

In case of using of an aggressive blast media a tungsten carbide nozzle has to be used. Service life of the tungsten carbide nozzle lasts 10 to 20 times longer than ceramic.

**Glass Beads:** Most beads have been treated to ensure free-flow operation even under moderately high humidity conditions. Glass beads subjected to excessive moisture may be reused after thorough drying and breaking up of any lumps.

### 3.5 Compressed air quality

The air filter at the air inlet connection reduces condensed water from the compressed air. Its use is especially important in areas of high humidity, or when fine-mesh media are used. Moisture causes media to clot and inhibits free flow through the feed assembly. If moisture problems persist, an air dryer may be required.

## 4. Set-up, operation and shut-down

### 4.1. Installation and Set-up.

#### 4.1.1 Location

Select a location where compressed air, water and electrical service are available. Allow for full access to all doors and service areas and for efficient handling of large parts.

#### 4.1.2 Compressed air supply line

Connect compressed air supply line with min. I.D. = ½". to the cabinet inlet. For connection use a flexible hose with same min. I.D. as the main airline. A smaller diameter air supply line or hose may reduce blasting efficiency.



## ATTENTION!

**Be certain that all pipe fittings and hose clamps are tight before using the blast cabinet. Hose disconnection while under pressure could cause serious injury.**

### 4.1.3 Grounding

Ground the cabinet to prevent static electricity build up. For grounding attach an external grounded wire to the grounding lug on the cabinet skirt.

### 4.1.4 Electrical power connection



## ATTENTION!

**All electrical work must be carried out by a qualified electrician according to the national and local standards.**

A wiring schematic is supplied with the cabinet. After wiring is completed, check the motor rotation by momentarily turn switch on and off. The motor will slowly turn. Check the rotation of the motor fan through the slots in the motor housing. The fan should rotate clockwise when viewed from the fan end to the motor.



## ATTENTION!

**Do not look into the reclaimer exhauster outlet while the exhauster is turning. Injury to the eye or face could occur from objects being ejected from the exhauster.**

### 4.1.5 Cabinet static pressure

Cabinet static pressure must be set to match the cabinet dimensions and reclaimer sizes. Open the inlet damper further to decrease static pressure or close it further to increase pressure.

Use the gloves as an indicator of right cabinet static pressure. With the exhauster on, the gloves should be inflated, but not elevated off the grate.

### 4.1.6 Foot pedal

Position the foot pedal on the floor at the front of the cabinet for easy accessibility. Blast cabinet is designed for one-person operation. Be sure you can quickly remove your foot from the pedal in an emergency.

## 4.2. Blasting operation

### 4.2.1 Media loading

With the exhauster off, add clean dry media, by pouring it into the reclaimer hopper through the reclaimer door. Do not fill past the cone on the reclaimer.

Do not pour media directly into the cabinet hopper, as overfilling may occur. Overfilling will result in media carryover to the dust collector and possibly blockage in the conveying hose. Refill only after all media has been recovered from the cabinet.

**Table 4.1** The minimum amount of media to charge the system is as follows

CAB-110P	CAB-135P
20 kg	40 kg

### 4.2.2 Media unloading

To empty the cabinet of old media turn off the exhauster and place an empty container under the metering valve. Unscrew the lower plug from the metering valve. Media will flow into container. If media doesn't flow, it has caked. Open the fill door and stir media until it starts to flow.

### 4.2.3. Parts loading and unloading

Parts may be loaded and unloaded through either door.

Blasted parts must be free of oil, water, grease, or other contaminants that will clog media or filters. By closing the door, be certain that the door is sealed securely or door interlock system will prevent blasting.

#### 4.2.4. Blasting operation



### ATTENTION!

**Always close cabinet, reclaiming and dust collector doors before blasting. Keep all doors closed during blasting.**

**Always wear blast gloves.**

**Avoid pointing the blast nozzle toward the view window.**

**Use the blow-off nozzle to blow media off parts before opening doors.**

**After blasting, keep doors closed and exhauster on until the cabinet is clear of all airborne dust.**

**Stop blasting immediately if dust leaks are detected.**

Open the compressed air supply to the blast cabinet. On the initial start up check for air leaks. Adjust the pulse pressure regulator to 4,5 bar (see Picture 2 for location).

Turn on/of switch to the position "I" to switch on the lights and filter pulse cleaning. Push button ON to switch on the exhauster. Insert hands into rubber gloves. Firmly grasp the blast gun and step on the foot pedal. Blasting will begin immediately. Adjust blast pressure using pilot regulator located on the control panel. Pressure gauge on the control panel shows actual blast pressure value.

Most effective blasting techniques are smooth continuous strokes. The distance from the part affects size of blast pattern. Normal practice places the nozzle approximately 70 to 150mm from the surface of the part.



### ATTENTION!

**Shut down the cabinet immediately if dust discharges from the collector.**

**Check that filters are correctly seated and not worn or damaged.**

**Prolonged breathing of any dust could result in serious lung disease**

**or death. Short term ingestion of toxic dust such as lead, poses an**

**immediate danger to health. Toxicity and health risk vary with dust**

**generated by blasting. Identify all material being removed by blasting, and**

**obtain a material safety data sheet for the media.**

During the blast cabinet operation, dust collector is pulsed automatically according to the timer settings. Prolonged periods of blasting or duty conditions may require adjustment of the timer settings.

#### **4.2.5. Stop blasting operation and shut-down.**

To stop blasting, remove pressure on the foot pedal.

Use the air blow-off nozzle, to blow media off cleaned parts. Allow the exhauster to clean the cabinet of airborne dust before opening the door and unload the parts. Push button OFF to switch off the exhauster.

Turn on/of switch to the position "0" to switch off the lights and filter pulse cleaning. Shut off the air supply to the blast cabinet and drain air filter.

### **4.3. Adjusting**

#### **4.3.1 Blasting pressure**

The pilot pressure regulator, located on the control panel of the cabinet, enables the user to adjust the blasting pressure to suit the application.

The suitable pressure for most purposes is around 5-6 bar. Lower pressures may be required on delicate substrates, and will reduce media breakdown. Higher pressure may be required for difficult blasting jobs on durable substrates, but will increase media break down. In all cases, highest production can only be achieved when pressure is carefully monitored.

Adjust air pressure by turning the knob on the pilot regulator located on the front of the control panel. Pull the knob out, and turn clockwise to increase pressure or counter-clockwise to decrease. Once operating pressure is set, push the knob in to lock.

#### **4.3.2 Air jet adjustment**

The air jet should be screwed 4.5 to 5 full turns into the rear of the GX gun body. Doing so will leave 3.5 to 4 threads exposed past the lock nut. Tighten the lock nut to hold the orifice in place.

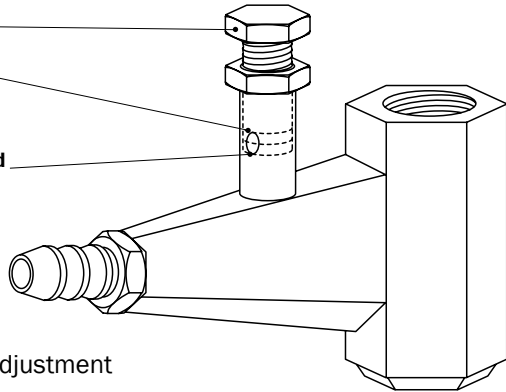
#### **4.3.3 Media/Air Mixture**

Observe media flow through the clear media hose. Media should flow smoothly and evenly through the hose.

**Adjusting Screw**

**holes fully open**

**holes fully closed**



**Picture 3.** Metering valve adjustment

Observe media flow through the clear media hose. Media should flow smoothly and evenly through the hose. If the air exiting the nozzle pulses or if media does not flow smoothly, the metering valve requires adjusting.

To adjust loosen the locking nut, and adjust the metering screw until the hole in the metering stem is half-closed.

If pulsation occurs in the media hose, either media is damp and caked, or not enough air is entering the media stream. While blasting, loosen the locking nut and slowly turn the adjusting screw out (counter clockwise when viewed from the top) until the media flows smoothly. Tighten the locking nut to maintain the setting. If media flow is too light, decrease air in the mixture by turning the metering screw in (clockwise when viewed from the top) covering more of the hole so less air enters the media hose. Tighten the locking nut to maintain the setting.

#### **4.3.4 Reclaimer static pressure**

Correct static pressure varies with size of reclaimer and the size, weight and type of media. Adjust reclaimer static pressure by opening (handle horizontal) or closing (handle vertical) the damper on the dust collector inlet.

If the damper is not opened enough, the reclaimer will not remove fines, resulting in dusty media, poor visibility, and possible media blockage in the conveying hose. If the damper is opened too far, it may cause carryover (usable media carried into the dust collector) and result in excessive media consumption. Open only as far as necessary to obtain a balance of dust removal without media carryover.



### 4.3.5 Cabinet static pressure

Once the inlet is initially set per section 4.1.5, it seldom requires readjustment. The initial setting produces approximately 50% to 75% of static pressure in the cabinet enclosure. For adjustment open the inlet damper further to decrease static pressure or close it further to increase pressure.

Use the gloves as an indicator of right cabinet static pressure. With the exhauster on, the gloves should be inflated, but not elevated off the grate.

### 4.3.6 Door Interlocks

The door interlocks disable the blasting control circuit when the doors are open. To enable blasting, the door interlock switches must be engaged when the doors are closed. The interlocks are set at the factory and do not usually require field adjustment unless parts are replaced.

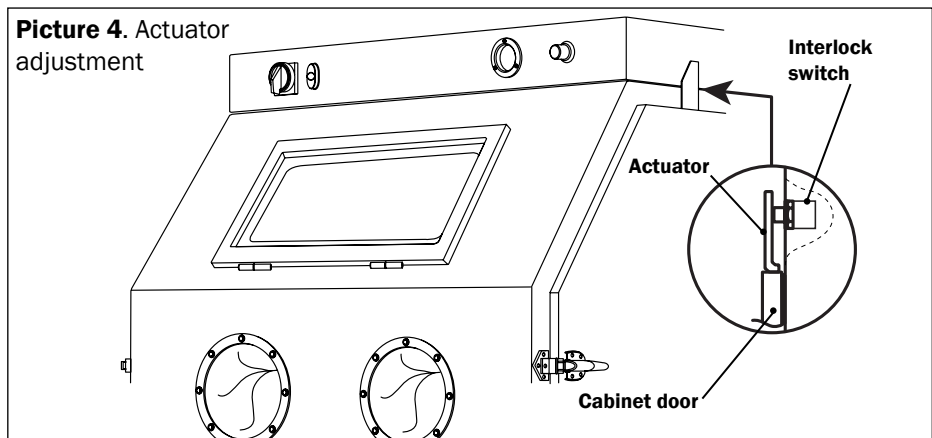


## ATTENTION!

**Never attempt to override the interlock system.**

**Doing so could result in injury from unexpected blasting.**

To adjust the actuator, bend it by hand as required for engaging the switch by full closed door.



Test the operation with the doors both open and closed. Point the nozzle away from the door when it is tested, and only open the door enough to disengage the interlock switch.

The interlocks should stop the blasting when the doors are opened, and permit blasting when the doors are closed.

**NOTE:** Negative pressure inside the cabinet may cause the doors to flex inward. Tests should be performed with the exhauster on.

#### 4.3.7 Pulse pressure

Adjust pulse pressure using the regulator mounted on the pulse manifold. Begin pulse pressure setting at 4,5 bar.

When pulsing alone does not adequately clean the cartridge, increase pulse pressure by 0,5 bar increments up to max. 6,0 bar. Increasing pulse pressure over 6,0 bar may cause damaging of the cartridge filter. If after pressure increasing, dust cakes on the cartridges and differential pressure increase, adjust cycling of the pulses.

#### 4.3.8 Timer

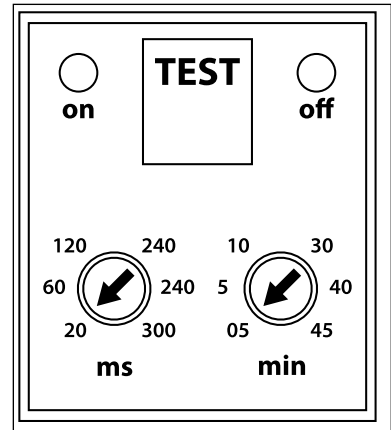
Adjust pulse time and cycling on the timer (see Picture 2 for location).

Use ON scale to adjust the pulse length and OFF scale to adjust the time period between the pulses.

Begin setting is as follows:

**Pulse length** (ON scale) - 60 ms (by 4.5 bar pulse pressure).

**Time between pulses** (OFF scale) - 5 min



**Picture 5.** Pulse time and cycling adjustment

## 5. Maintenance

### 5.1. Preventive maintenance.

#### 5.1.1 GX manual blast gun

Inspect the GX manual blast gun for wear. Replacing the air jet cover before it wears through will prolong the life of the jet.

### **5.1.2 Dust container**

Empty the dust container regularly. Start by checking the container at least daily or when adding media, then adjust frequency based on usage, contamination and friability of the media.

### **5.1.3 Reclaimer debris screen**

The screen is accessible through the reclaimer door. With the exhauster off, remove the screen and empty it daily or when loading media. Empty the screen more often if parts being blasted causes excessive debris. Do not operate the machine without the screen in place.

### **5.1.4 Airline filter**

The cabinet is equipped with a manual drain airline filter. Drain the airline filter at least once a day, more often if required, or if water mist is seen coming out the nozzle.

Moist air inhibits the flow of media. If moisture continues to be present, a refrigerated air dryer may be required.

### **5.1.5 Media Hose**

To avoid unscheduled down-time, inspect the media hose for thin spots, especially along an outside radius.

## **5.2 Service maintenance**

### **5.2.1 Gloves**

Special static-dissipating gloves have been provided for operator comfort. It will be necessary to change gloves periodically as they wear. The first sign of deterioration may be excessive static shocks. Gloves are held in place by metal clamps on the inside of the cabinet. To replace, loosen the clamps with a screwdriver, replace the gloves, and tighten the clamps.

### **5.2.2 Nozzle**

Replace the nozzle when its diameter has increased by max. 2mm or sooner if pressure diminishes noticeably.

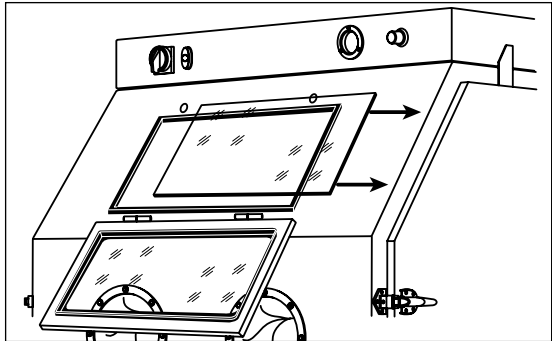
To change the nozzle, unscrew the holding nut from the gun end. Pull the nozzle from the gun and replace with a new nozzle, placing the tapered end toward the jet. Screw the holding nut back onto the gun.

### 5.2.3 Disposable window replacement

Remove the two window frame nuts located on the upper edge of the window frame, and swing the window frame open. Through the door opening, push the disposable window from the back to remove from the front.

Inspect the window frame gaskets, both on the window frame and on the cabinet. If either gasket is damaged, replace it per section 5.2.5.

**Picture 6.** Disposable window replacement



### 5.2.4 Viewing window replacement



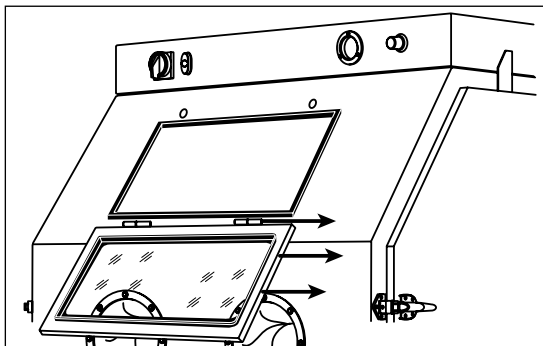
## ATTENTION!

**Do not use plate glass for replacement view windows. It could shatter on impact and cause severe injury.**

**Use only original manufacturer approved laminated safety glass.**

Remove the two window frame nuts located on the upper edge of the window frame, and swing the window frame open. Remove the window to prevent breakage (Picture 7).

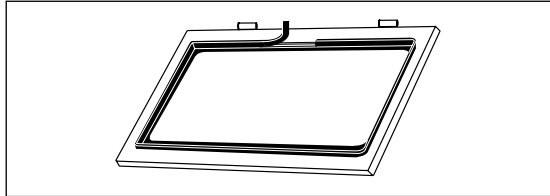
**Picture 7.** Windows frame removal



Remove the old window by pulling the window molding. Install the window molding in the window opening by fitting the narrow slit of the molding over the metal edge of the opening.

The molding ends should meet in the middle of the straight section of the opening. Molding should be compressed so the ends are tightly sealed. Working from the front, install the view window into the wide slit of the molding.

**Picture 8.** Viewing window replacement



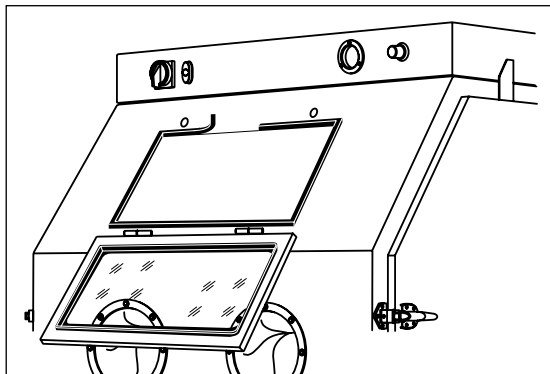
### 5.2.5 Window gasket replacement

Replace the window frame gasket and cabinet window opening gasket at the first sign of media leakage around the view window, or if gaskets appear damaged.

Check the gaskets when changing the view window. Remove the viewing window and window frame per Section 5.2.4. Remove all the old gasket material and clean the surfaces of the cabinet and window frame.

Peel a short section of adhesive backing from the 3x15 mm strip gasket, and adhere the gasket to the center of the top edge of the window opening as shown in Picture 9. Peel additional backing as needed, and work the strip around the radius of each corner, pressing it tightly to bond. Trim the gasket to fit and compress the ends to seal.

**Picture 9.** Window gasket replacement



## 5.2.6 Filter cartridge replacement



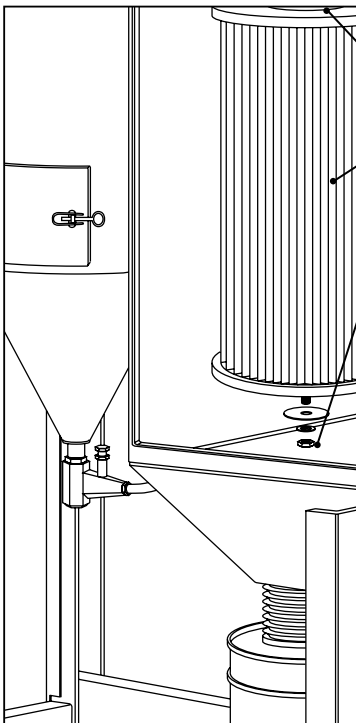
### ATTENTION!

Failure to wear approved respirators and eye protection when servicing dust-laden areas of the cabinet and dust collector, and when emptying the dust collector could result in serious eye irritation and lung disease or death.

Toxicity and health risk vary with type of media and dust generated by blasting.

The respirator must be approved for the type of dust generated.

Identify all material being removed by blasting, and obtain a material safety data sheet for the blast media.



Picture 10. Filter cartridge replacement

Cartridge sealing gasket

Filter cartridge

Wing nut

Close the air supply to the cabinets and bleed all air from the pulse manifold. Unscrew the wing nuts and remove the dust collector door. Remove the cartridge retaining nut, washer, and gasket. To remove the cartridge, slide it straight down until it clears the holding bar. Clean all parts that will be reused, especially around the cartridge sealing area. Scrape off any residual gasket material from the sealing surface. Install the new cartridge and gasket. Tighten the retaining nut until the cartridge cannot be moved by hand. Tighten the nut one additional full turn. Check the collector door gasket for any condition that will prevent the gasket for sealing. Replace the gasket if necessary. Attach the dust collector door in place. Season the

cartridge per section 5.2.7.

## 5.2.7 Filter cartridge seasoning

New cartridges must be seasoned. Cartridges are seasoned by letting a dust cake

develop on the filter media before starting the pulsing cycles. To stop the pulse, turn the pulse regulator off (to 0 bar). Operate the cabinet without pulsing for about two hours, or until visibility decreases, whichever comes first. At that point turn the pulse regulator to 4,5 bar, to start the pulsing cycle.

## 6. Troubleshooting



### ATTENTION!

**To avoid serious injury, observe the following when troubleshooting.**

- . Turn off the air, and lock out and tag out the air supply.**
- . If checking the controls requires air, always enlist the aid of another person to:**
  - Hold the nozzle securely.**
  - Operate the foot pedal.**
- . Never bypass the foot pedal or wedge it in the operating position.**
- . Never override the door interlock system.**

### 6.1. Poor visibility.

**6.1.1** Poor visibility may be due to dirty filter cartridge. Empty the dust container regularly. Inspect and replace the cartridge if necessary.

**6.1.2** Motor rotating backwards. The motor should rotate as indicated by the arrow on the housing. If it does not rotate in the proper direction, lockout and tag-out the power supply and switch the motor leads as shown on the motor plate.

**6.1.3** Using soft media that rapidly breaks down, or using media that is too fine or worn out can cause poor visibility.

**6.1.4** Outlet damper closed too far restricting air flow in cabinet. Adjust static pressure per Section 4.3.5.

**6.1.5** Inlet damper requires opening. Restrictions at the inlet damper reduces air movement in the cabinet. Open damper per Section 4.3.5.

**6.1.6** Hole worn in flex hose between cabinet hopper and reclaiming inlet, or reclaiming outlet and dust collector inlet. Replace hose and route it with as few bends as possible to prevent wear.

**6.1.7** Reclaimer door open. Reclaimer door have to be closed during the cabinet operating.

**6.1.8** Check for obstruction in flex hose between the cabinet hopper and reclaimer inlet.

## **6.2 Abnormally high media consumption**

**6.2.1** Reclaimer door open, not in place, improper fit or worn gasket. Air entering reclaimer at this point will cause media to be carried into the dust collector. DO NOT operate system unless the door is closed.

**6.2.2** Hole worn in reclaimer, or leak in reclaimer seams. Check entire reclaimer for negative-pressure leaks.

**6.2.3** Outlet damper open too far. Adjusting static pressure in Section 4.3.5.

**6.2.4** Using soft media that rapidly breaks down, or using media that is too fine or worn out.

**6.2.5** Nozzle pressure too high for media, causing media to break down.

## **6.3 Reduction in blast cleaning rate**

**6.3.1** Low media level reducing media flow. Check and fill if low.

**6.3.2** Incorrect metering valve adjustment. Adjust per Section 4.3.3.

**6.3.3** Reduced air pressure. This may be caused by a malfunctioning regulator, a dirty filter element in air filter, partially closed air valve, leaking airline, or other air tools in use.

**6.3.4** Blockage in media line or gun. Blockage may occur as a result of a missing debris screen, or incorrect metering valve adjustment permitting heavy media flow. Check media valve adjustment per Section 4.3.3.

**6.3.5** Worn gun parts such as nozzle or air jet. Inspect and replace all worn parts.

**6.3.6** Worn media hose. Check hose for leaks and soft spots. Replace when worn or damaged.

**6.3.7** Air jet in gun out of adjustment. Check adjustment per Section 4.3.2..

**6.3.8** Moist blast media. Frequent bridges or blockage in the area of the metering valve can be caused by moisture. See Section 6.5.

## **6.4 Plugged nozzle**

**6.4.1** A damaged or missing reclaimer screen will allow large particles to pass and block the nozzle. Replace or re-install as necessary.



**6.4.2** Media mixture too rich. Adjust media/air mixture per Section 4.3.3.

## **6.5. Media bridging**

**6.5.1** Frequent bridging or blockage in the metering valve can be caused by damp media. Media becomes damp by blasting parts that are slightly oily, from moisture in the compressed air line, or from absorption.

**6.5.2** To avoid contaminating media from the work piece, all parts put into the cabinet should be clean and dry. If parts are oily or greasy I degrease and dry them prior to blasting.

**6.5.3** Moist compressed air may be due to a faulty compressor that overheats, or pumps oil or moisture into the air line, too long an air line permitting moisture to condense on the inside, and from high humidity. Drain filters and receiver tank regularly. If the problem persists, it may be necessary to change media more often, or install a refrigerated air dryer.

**6.5.4** Absorption: Some media tends to absorb moisture from the air, especially fine-mesh media in high humidity areas. Empty the media and store it in an airtight container when cabinet is not in use.

## **6.6 Neither media nor air comes out the nozzle when the foot pedal is pressed**

**6.6.1** Door interlocks not engaging. Check adjustment per Section 4.3.6.

**6.6.2** Blocked or leaking control lines. Check all fittings and urethane tubing for blockage or leaks.

**6.6.3** Foot pedal 3-way valve defective or not engaging. Check foot pedal alignment, and inlet and outlet lines for pressure.

**6.6.4** Check that lines are not reversed on the foot pedal or pilot regulator.

**6.6.5** Check that the pressure regulator is not turned too low. Minimum pressure is 3 bar.

**6.6.6** Check that the compressor is on and air supplied to the cabinet.

**6.6.7** Nozzle plugged. See Section 6.4.

## **6.7 Blasting does not stop when the foot pedal is released.**

**6.7.1** Make sure that the 3-way valve in the foot pedal exhausts air when the pedal is released. If it does not, check the line for blockage, and check the switch for defect.

## 6.8 Blockage in media hose

**6.8.1** Media obstructions. Usually caused when the media mixture is too rich. Adjust media/air mixture per. Section 4.3.3.

**6.8.2** Wet or damp media. See Section 3.5.

## 6.9 Media surge

**6.9.1** Heavy media flow. Adjust per Section 6.3.

## 6.10 Poor suction in media hose

**6.10.1** Inadequate air supply. Check the table 3.1.

**6.10.2** Air jet needs adjustment. Check adjustment per Section 4.3.2.

**6.10.3** Nozzle worn. Replace if worn 2mm or more.

**6.10.4** Blockage in media hose or nozzle. See Section 4.3.

**6.10.5** Wrong size combination of air jet and nozzle. See table 3.1.

**6.10.6** Air jet sleeve extends past end of air jet. Cut the sleeve to align with the air jet.

## 6.11 Blow-back through media hose

**6.11.1** Blockage in nozzle. Remove the nozzle and check blockage.

**6.11.2** Air jet may be too large for nozzle. See table 3.1.

## 6.12 Static shocks

**6.12.1** Cabinet and/or operator not grounded. Abrasive blasting creates static electricity. The cabinet must be grounded to prevent static build-up. See Sections 4.1. If shocks persist, the operator may be building up static. Attach a small ground wire (such as a wrist strap) from the operator to the cabinet.

**6.12.2** Avoid holding parts off the grating. Static will buildup in the part if not dissipated through the metal cabinet.

## 6.13 Dust leaking from dust collector

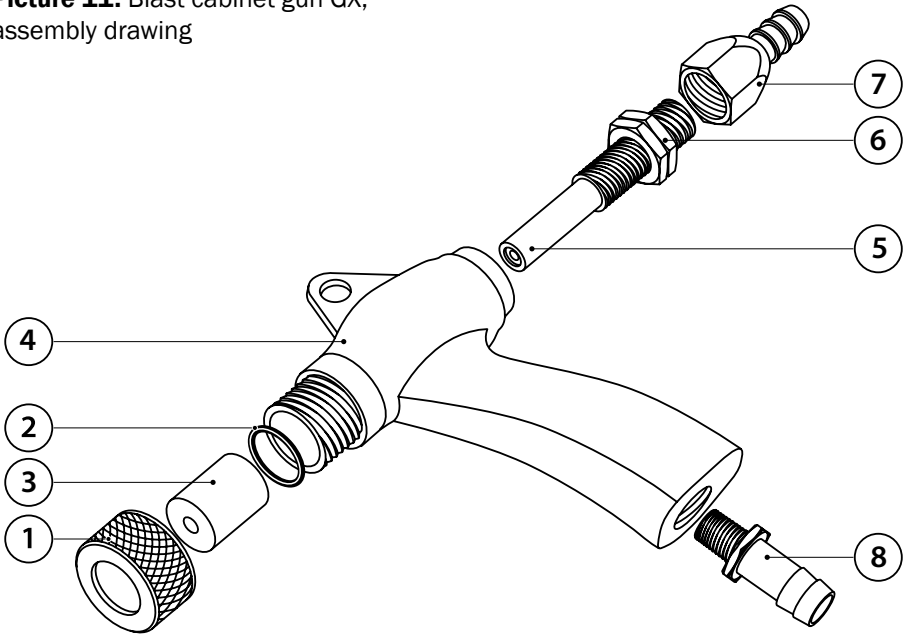
**6.13.1** Damaged or loose cartridge. Inspect filter cartridge.

**6.13.2** Faulty seal on the dust collector door. Inspect seal and replace if damaged.

# 7. Replacement parts

## 7.1. GX gun and feed assembly.

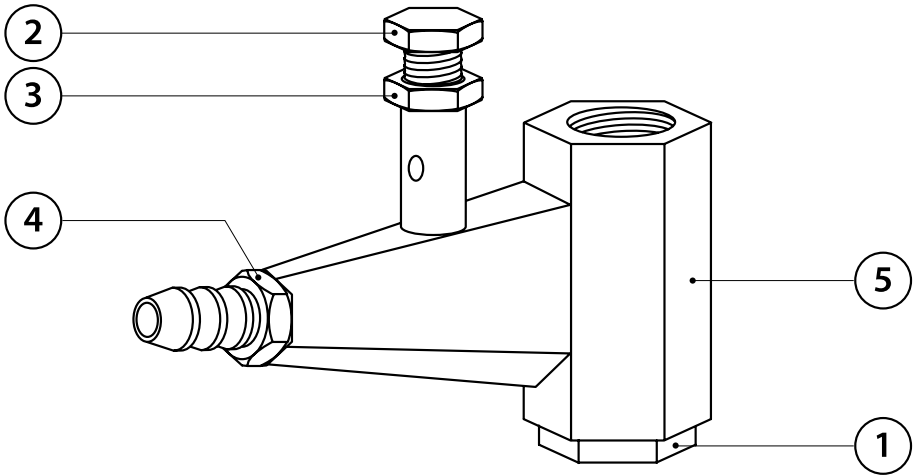
**Picture 11.** Blast cabinet gun GX, assembly drawing



ENGLISH

Pos. No	Order code	Description	Amount
	15300	Suction blast gun, without nozzle	
1	15313	Nozzle holding nut	1
2	15312	Rubber O-ring	1
3	15508	Tungsten carbide nozzle for GX blast gun, Ø 8 mm (standard)	1
4	15304	Gun body	1
5	15307	Air jet Ø 4,0 mm (standard)	1
6	15309	Lock nut	1
7	15310	Swivel hose fitting, compressed air hose	1
8	15311	Hose fitting, blast media hose	1

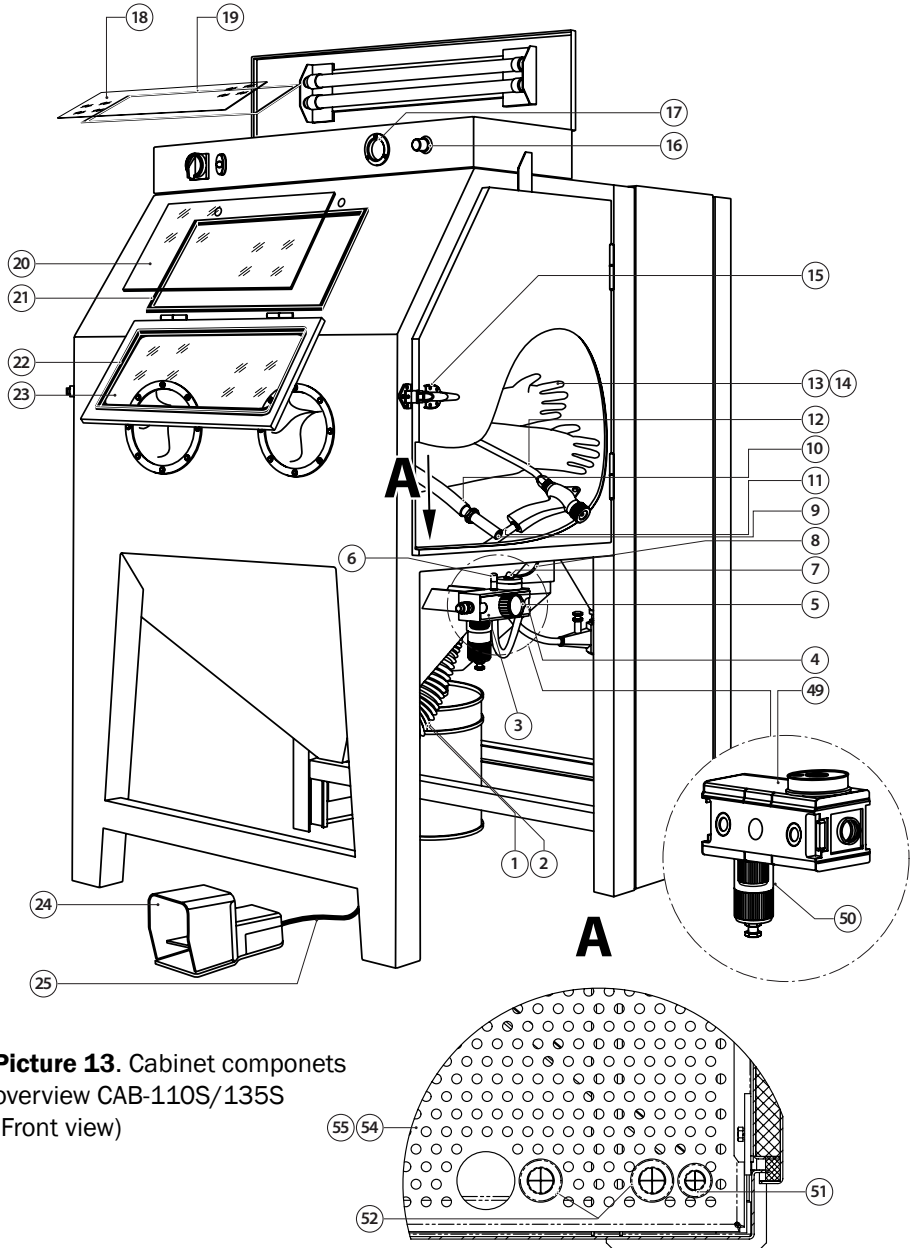
## 7.2. Metering valve assembly.



**Picture 12.** Metering valve, blast media

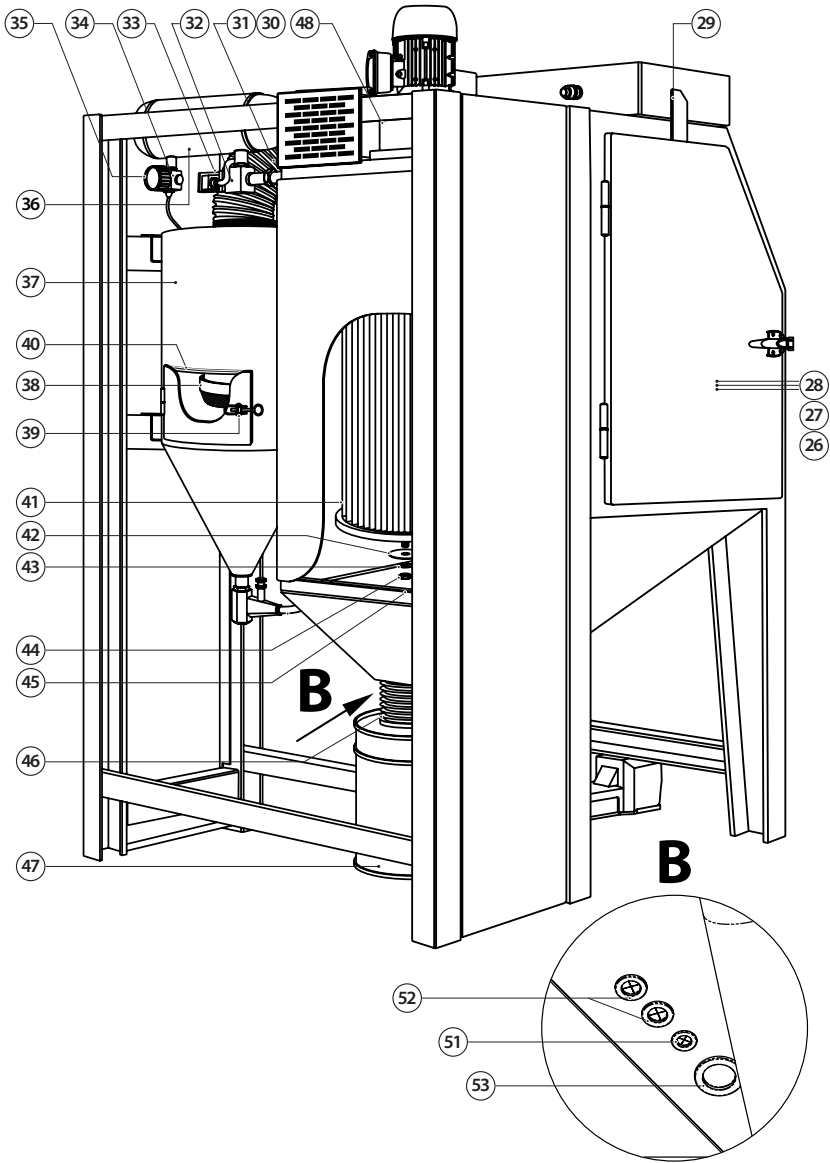
Pos. No	Order code	Description	Amount
	15920	Metering valve, blast media	
1	15921	Drain Plug	1
2	15922	Adjusting screw	1
3	15923	Lock nut	1
4	15924	Hose fitting, blast media hose	1
5	15925	Valve body	1

### 7.3. Cabinet assembly.



ENGLISH

**Picture 13.** Cabinet componets overview CAB-110S/135S (Front view)

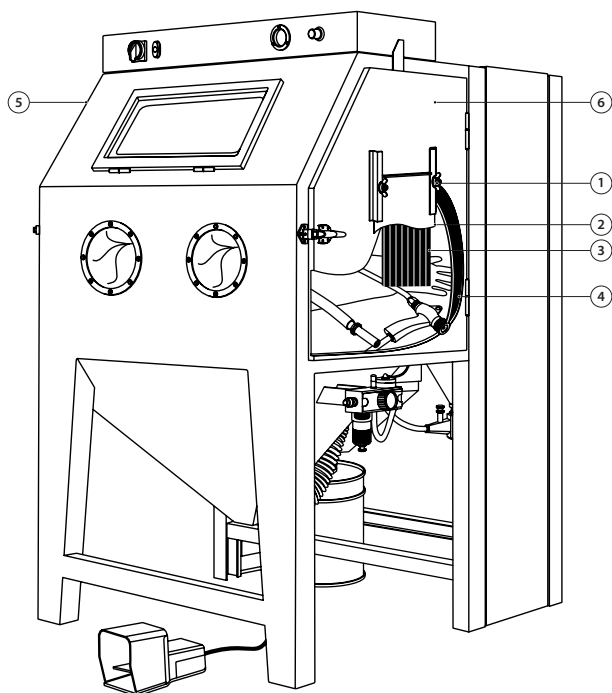


**Picture 14.** Cabinet components overview  
CAB-110S/135S (Back view)

Pos. No	Order code	Description	Amount
1	15980	Conveying hose Ø 100, 1 m	2 m
2	16045	Clamp for hose Ø 100	1
3	15904	Airline Filter 1/2", manual drain	1
4	15905	Pressure regulator 1/2", pilot operated	1
5	24407	Pressure gauge 1/4" (rubber cover)	1
6	16011	Pneumatic fitting 1/4" x 6mm, 2xOut	1
7	16025	Pneumatic fitting 1/4" x 6mm, angle	1
8	15990	Pneumatic tube 6x4 mm, 1m	1
9	15901	Air blow-off nozzle, rubber	1
10	15960	Rubber hose for air blow-off nozzle (BAH), 1m	3 m
11	15955	Blast media hose, transparent, 1m	3 m
12	15975	Rubber air hose, brown, 1m	3 m
13	15605	RGS 800 mm Blast cabinet gloves, pair	1
14	16047	Clamp for blast cabinet gloves	1
15	16069	Cabinet door latch, complete	1
16	15932	Pressure regulator, 1/4"	1
17	15934	Panel mounting pressure gauge 1/8"	1
18	16078	Light glas window, 646 x 186 mm	1
19	16064	Rubber profile, Safety glass window/ Light glass, 1m	3 m
20	16077	Disposable window for CAB-series, 500 x 320 mm	1
21	16049	Gasket 3x15, Disposable window / Electrical enclosure, 1m	2 m
22	16064	Rubber profile, Safety glass window/ Light glass, 1m	2 m
23	16076	Safety glas window, 476 x 296 mm	1
24	15931	Pneumatic foot pedal	1
25	16026	Pneumatic fitting M5 x 6mm	1
26	15812	Cabinet door CAB-110S/110P, left	1
	15813	Cabinet door CAB-135S/135P, left	1
27	15814	Cabinet door CAB-110S/110P, right	1
	15815	Cabinet door CAB-135S/135P, right	1
28	17540	Gasket, Cabinet door, 1m	5 m
29	15930	Door interlock 1/8"	1
30	15985	Ventilation hose Ø 150, 1m	1 m
31	16046	Clamp for hose Ø 150	1

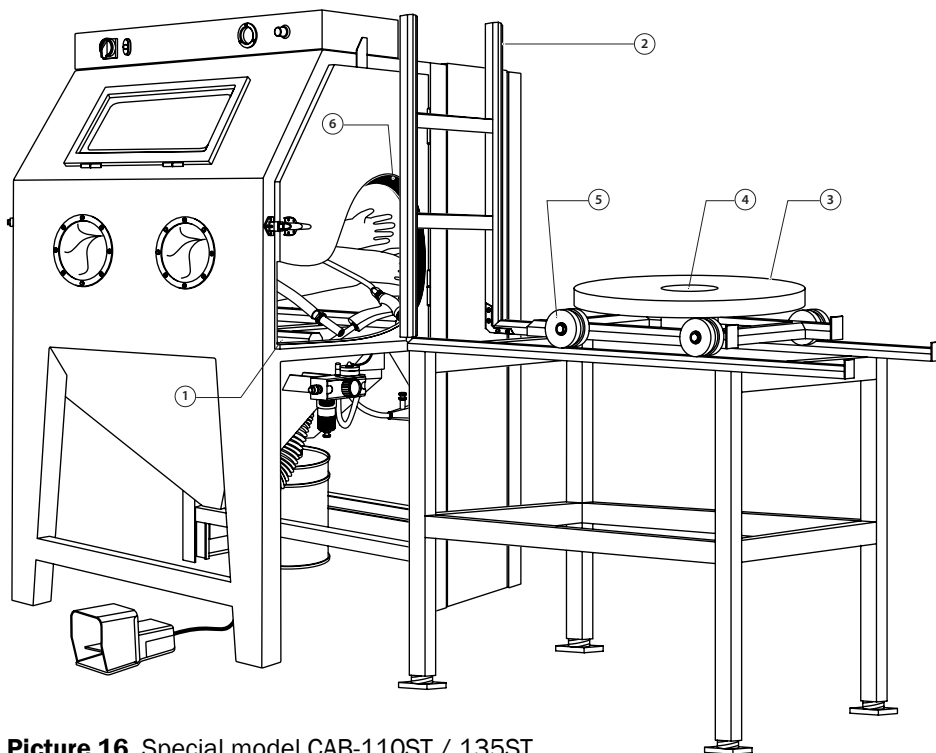
32	15974	Diaphragm pulse-jet valve 3/4"	1
33	16106	Electronic timer for pulse-jet valve	1
34	15932	Pressure regulator, 1/4"	1
35	30404	Pressure gauge 1/8" (rubber cover)	1
36	15816	Pulse-jet cleaning manifold	1
37	15817	Reclaimer assembly R-350, without screen (for CAB-110 P/S)	1
	15818	Reclaimer assembly R-400, without screen (for CAB-135 P/S)	1
38	15819	Screen	1
39	16037	Dust collector latch, complete	1
40	17541	Gasket, Reclaimer door, 1m	2 m
41	15971	Cartridge filter 10 m <sup>2</sup> , for CAB/DC from type series 550	1
	15969	Cartridge filter 15 m <sup>2</sup> , for CAB/DC from type series 550	1
42	16217	Washer M8, large	1
43	16200	Washer M8	1
44	16207	Wing nut M8	1
45	16053	Gasket 5x20, dust collector door, 1m	4 m
46	15985	Ventilation hose Ø 150, 1m	1 m
47	16079	Dust container, 20 liter	1
48	17547	Impeller for DC-1100 (CAB-110S / CAB-110P)	1
	17548	Impeller for DC-1500 (CAB-135S / CAB-135P)	1
49	15926	Pneumatic filtration and control unit 1/2"	1
50	15928	PC container with semi-automatic condensate drain	1
51	16390	Rubber gland, Air blow-off nozzle, for all ECO/CAB	2
52	16391	Rubber gland, Blast media hose/Rubber air hose, for all ECO-S/CAB-S	4
53	16397	Rubber plug	1
54	15840	Floor plate, left for CAB-110	1
	15842	Floor plate, left for CAB-135	1
55	15841	Floor plate, right for CAB-110	1
	15843	Floor plate, right for CAB-135	1





**Picture 15.** Special model CAB-110SD / 135SD

Pos. No	Order code	Description	Amount
1	17549	Knob	2
2	17550	Dumper plate	1
3	17551	Rubber shield	1
4	15810	Rubber curtain set, black, for CAB-110	1
	15811	Rubber curtain set, black, for CAB-135	1
5	15835	Pass-through cabinet door CAB-110S/110P, left	1
	15837	Pass-through cabinet door CAB-135S/135P, left	1
6	15836	Pass-through cabinet door CAB-110S/110P, right	1
	15838	Pass-through cabinet door CAB-135S/135P, right	1

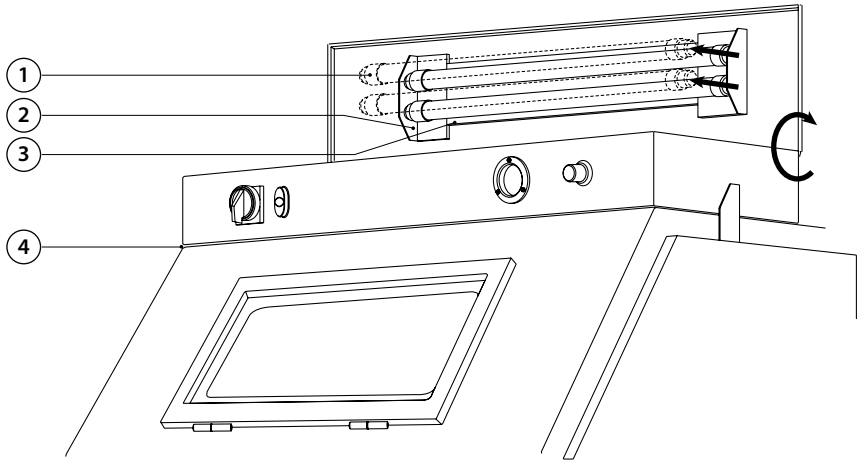


**Picture 16.** Special model CAB-110ST / 135ST

Pos. No	Order code	Description	Amount
1	15705	Trucks inner part, for CAB-110	1
	15706	Trucks inner part, for CAB-135	1
2	15703	Trucks outer part, for turntables with Ø 500 mm	1
	15704	Trucks outer part, for turntables with Ø 800 mm	1
3	15707	Turntable Ø 500 mm, with cart, assembly	1
	15708	Turntable Ø 800 mm, with cart, assembly	1
4	15714	Bearing with housing, universal for turntable Ø 500 mm / Ø 800 mm	1
5	15713	Double flange wheel, universal for turntable Ø 500 mm / Ø 800 mm	1
6	15810	Rubber curtain set, black, for CAB-110	1
	15811	Rubber curtain set, black, for CAB-135	1

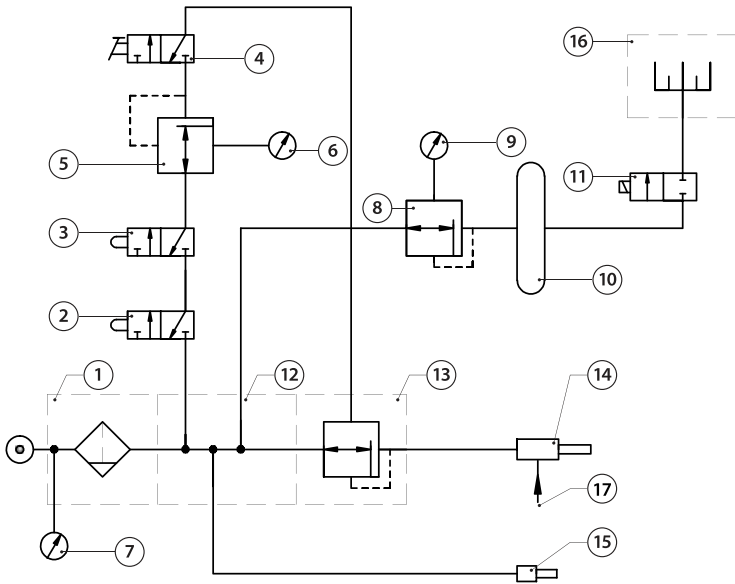
## 7.4.Light assembly.

**Picture 17.** Fluorescent tube replacement



Pos. No	Order code	Description	Amount
1	16122	Tube fluorescent, 30 W	2
2	16121	Light assembly, 2x30 Watt	1
3	16123	Lamp reflector	1
4	16049	Gasket 3x15, Disposable window / Electrical enclosure, 1m	4 m

## 7.5. Pneumatic circuit diagram.

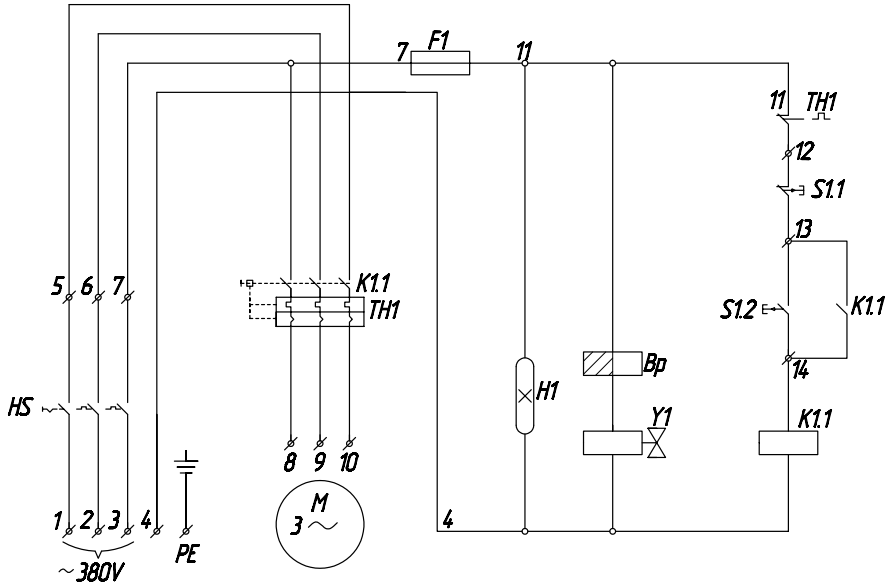


**Picture 18.** Pneumatic circuit diagram CAB-110S/ 135S

Pos. No	Order code	Description
1	15904	Airline Filter 1/2", manual drain
2	15930	Door interlock 1/8"
3	15930	Door interlock 1/8"
4	15931	Pneumatic foot pedal
5	15932	Pressure regulator, 1/4"
6	15934	Panel mounting pressure gauge 1/8"
7	30404	Pressure gauge 1/8" (rubber cover)
8	15932	Pressure regulator, 1/4"
9	24407	Pressure gauge 1/4" (rubber cover)
10	15816	Pulse-jet cleaning manifold
11	15974	Diaphragm pulse-jet valve 3/4"
12	16011	Pneumatic fitting 1/4" x 6mm, 2xOut
13	15905	Pressure regulator 1/2", pilot operated
14	15300	GX Suction blast gun, without nozzle

15	15901	Air blow-off nozzle, rubber
16	15971	Cartridge filter 10 m <sup>2</sup> , for CAB/DC from type series 550
	15969	Cartridge filter 15 m <sup>2</sup> , for CAB/DC from type series 550
17		Blast media line

## 7.6. Electric circuit diagram.



**Picture 19.** Electric circuit diagram CAB-110S/ 135S

Pos. No	Order code	Description
S1	16099	Double pushbuttons ON / OFF
HS	16100	Main switch 0-I
M	16134	Electric motor 1,10 kW (for CAB-110)
	16135	Electric motor 1,50 kW (for CAB-135)
K1.1	16104	Contacteur 3-poles
H1	16121	Light assembly 2x30 Watt
Bp	16106	Electronic timer for pulse-jet valve
Y1	15974	Diaphragm pulse valve 3/4", 220 V~
TH1	16105	Thermal relay
F1	16133	Fuze

# Inhaltsverzeichnis

<b>1. Sicherheitshinweise</b>	<b>39</b>
<b>2. Lieferumfang und Beschreibung</b>	<b>40</b>
<b>3. Aufbau, Betrieb und Beenden der Arbeit</b>	<b>44</b>
<b>4. Strahlvorgang</b>	<b>46</b>
<b>5. Wartung</b>	<b>54</b>
<b>6. Störungsbeseitigung</b>	<b>59</b>
<b>7. Allgemeine Zeichnungen/Diagramme</b>	<b>64</b>



## **ACHTUNG!**

**BITTE LESEN SIE DIESES HANDBUCH VOR GEBRAUCH DER MASCHINE GENAU DURCH:**

**DIE FOLGENDEN INFORMATIONEN SIND WICHTIG FÜR DIE SICHERHEIT UND GESUNDHEIT DES ANWENDERS UND PERSONEN, DIE SICH IN DER NÄHE AUFHALTEN.**



## **ACHTUNG!**

**ACHTEN SIE BEIM KAUF DER MASCHINE BITTE DARAUF, DASS DIE GARANTIEKARTE VOLLSTÄNDIG AUSGEFÜLLT WIRD.**

**WENN DIE KARTE NICHT AUSGEFÜLLT VORLIEGT, BESTEHT KEIN GARANTIEANSPRUCH.**

# 1. Sicherheitshinweise



## **ACHTUNG!**

### **SICHERHEITSREGELN FÜR DEN BETRIEB DER STRALKABINE**

- 1. Tragen Sie bei Strahlarbeiten immer Schutzhandschuhe.**
- 2. Benutzen Sie keine abgenutzte oder beschädigte Ausrüstung.**
- 3. Richten Sie die Düse nur auf den zu bearbeitenden Bereich. Richten Sie die Düse nie auf das Kabinfenster.**
- 4. Verwenden Sie nur trockene, gut durchgesiebte Strahlmittel, die für Strahlarbeiten geeignet sind.**
- 5. Vor Beginn der Arbeit mit der Stralkabine:**
  - Stellen Sie sicher, dass Handschuhe, Dichtungen, Schläuche und Verbinder nicht abgenutzt sind.**
  - Bei Verwendung von Schlauchverbindern müssen diese mit Draht gesichert werden**
  - Stellen Sie sicher, dass die Kabine geerdet ist**
- 6. Während des Strahlvorgangs müssen alle Türen an Kabine, Rückgewinnung und Staubabscheider geschlossen sein.**
- 7. Benutzen Sie die Abblasdüse um das Werkstück von Strahlmittel zu reinigen, bevor Sie die Absaugung abschalten und die Türen öffnen.**
- 8. Öffnen Sie die Türen oder schalten Sie die Absaugung erst ab, wenn die Luft in der Kabine staubfrei ist.**

## 2. Lieferumfang und Beschreibung

DEUTSCH

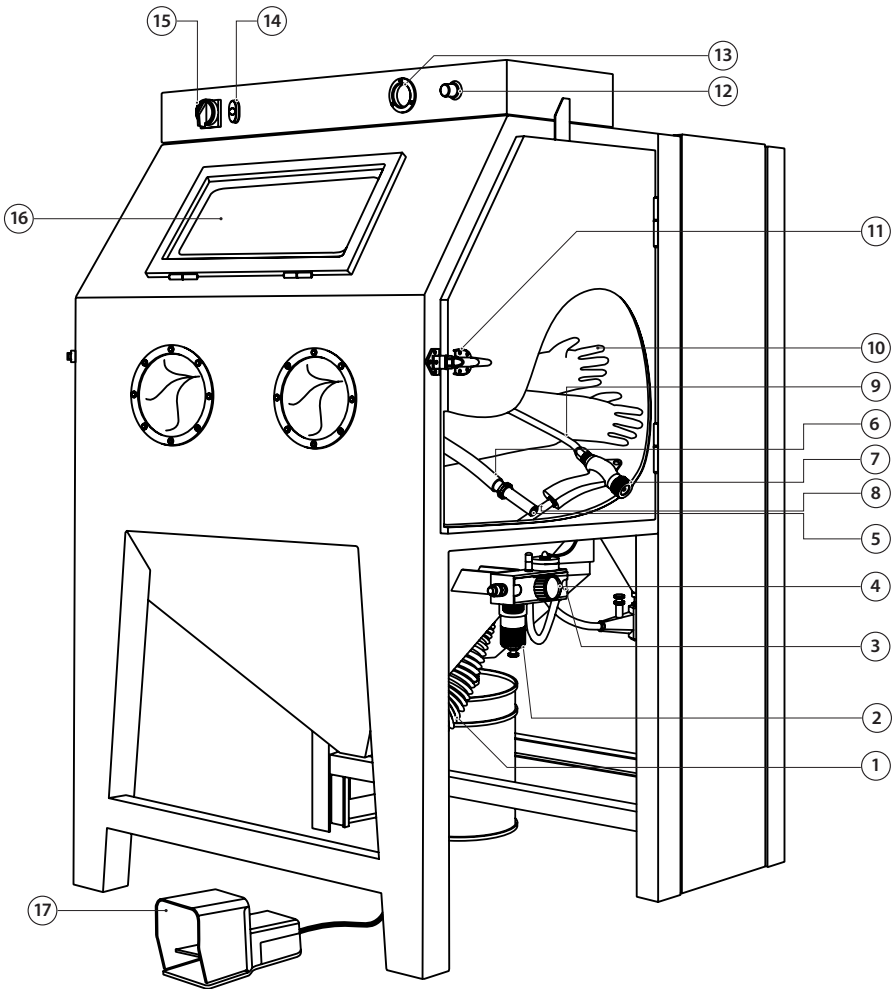
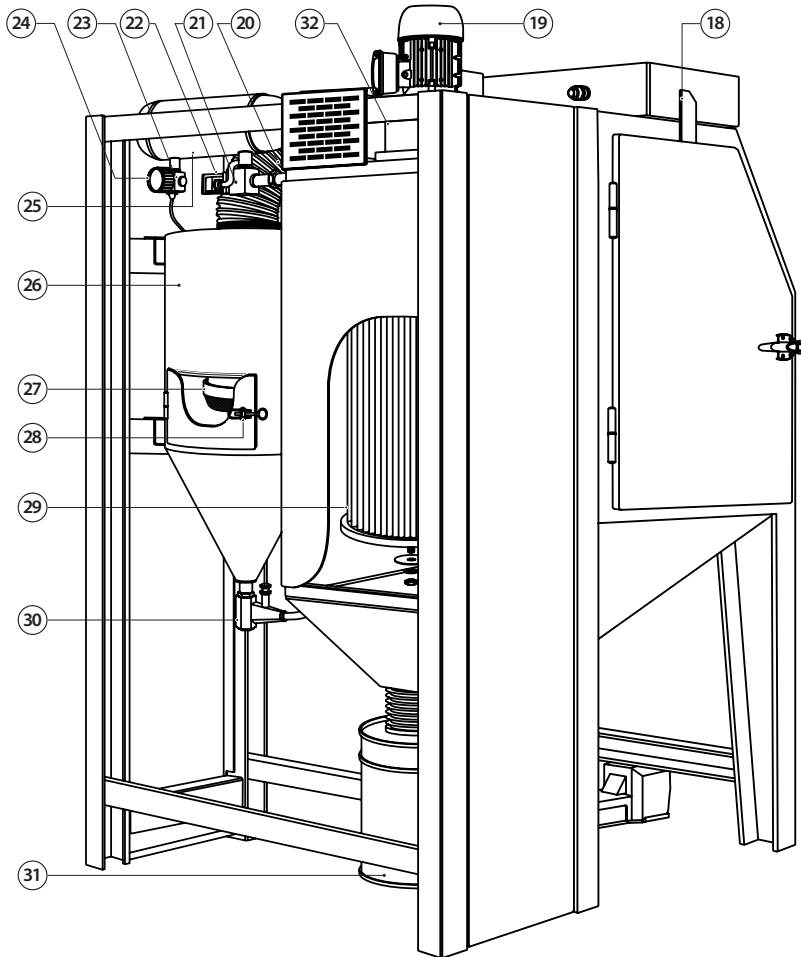


Abb. 1. Übersicht Strahlkabine CAB-110S/135S (Frontansicht)





**Abb. 2.** Übersicht Strahlkabine CAB-110S/135S (Rückansicht)

Abb. Nr.	Beschreibung
1	Saugschlauch Ø 100
2	Luftfilter
3	Druckregler, Ferngesteuert
4	Manometer

5	Abblasdüse, Gummi
6	Gummischlauch für Abblasdüse
7	GX Handstrahlpistole
8	Strahlmittelschlauch, transparent
9	Luftschlauch
10	RGS Strahlhandschuhe
11	Türverschluß
12	Druckregler Arbeitsdruck
13	Einbau-Manometer, Arbeitsdruck
14	Doppeldrucktaster EIN / AUS
15	Nockenschalter 0-I
16	Sichtfenster (Baugruppe)
17	Pneumatischer Fußventil
18	Türsicherungsventil
19	Elektromotor
20	Ventilationsschlauch Ø 150
21	Membranventil Impulsabreinigung
22	Таймер управления имп. пневмоклапанном
23	Druckregler Impulsabreinigung
24	Manometer
25	Druckbehälter für Impulsabreinigung
26	Zyklon Rückgewinnungssystem R-350 / R-400
27	Sieb
28	Zyklon Türverschluß
29	Patronenfilter
30	Strahlmitteldosierventil
31	Staubbehälter
32	Lüfter für DC-1100 / 1500

## 2.1 Lieferumfang

Табл. 2.1

Artikelnr.	Modell	Lieferumfang, Beschreibung
15105	CAB-110S	<p>STRAHLKABINE, KOMPLETTSYSTEM, BESTEHEND AUS:</p> <ul style="list-style-type: none"> <li>- Strahlkabine</li> <li>- Zyklon Rückgewinnungssystem R-350</li> <li>- Patronenstaubfilter DC-1100</li> </ul> <p>STANDARDAUSFÜHRUNG:</p> <ul style="list-style-type: none"> <li>- hochwertige 800 mm Strahlhandschuhe mit Gewebeinnenfutter</li> <li>- Injektorstrahlpistole GX</li> <li>- GXT-8,0 Wolframkarbid Strahldüse Ø 8 mm</li> <li>- Strahlmitteldosierventil</li> <li>- Druckluftfilter mit 5µ Filterelement</li> <li>- Pilotgesteuerte Druckregelung</li> <li>- Türsicherheitsschalter</li> <li>- Impulsgereinigter Patronenfilter 10 m<sup>2</sup></li> </ul> <p>Elektrischer Anschluss 1,10 kW, 380V, 3 Phasen, 50Hz          Außenmassen (L x B x H) 1340 x 1220 x 1990          Arbeitskammergröße (L x B x H) 1100 x 800 x 840          Fenstergröße (Sicherheitsglas) 476 x 296</p>
15106	CAB-135S	<p>STRAHLKABINE, KOMPLETTSYSTEM, BESTEHEND AUS:</p> <ul style="list-style-type: none"> <li>- Strahlkabine</li> <li>- Zyklon Rückgewinnungssystem R-400</li> <li>- Patronenstaubfilter DC-1500</li> </ul> <p>STANDARDAUSFÜHRUNG:</p> <ul style="list-style-type: none"> <li>- hochwertige 800 mm Strahlhandschuhe mit Gewebeinnenfutter</li> <li>- Injektorstrahlpistole GX</li> <li>- GXT-8,0 Wolframkarbid Strahldüse Ø 8 mm</li> <li>- Strahlmitteldosierventil</li> <li>- Druckluftfilter mit 5µ Filterelement</li> <li>- Pilotgesteuerte Druckregelung</li> <li>- Türsicherheitsschalter</li> <li>- Impulsgereinigter Patronenfilter 15 m<sup>2</sup></li> </ul> <p>Elektrischer Anschluss 1,50 kW, 380V, 3 phase, 50Hz          Außenmassen (L x B x H) 1470 x 1700 x 2140          Arbeitskammergröße (L x B x H) 1350 x 1100 x 1070          Fenstergröße (Sicherheitsglas) 476 x 296</p>

# 3. Allgemeine Informationen

## 3.1. Allgemeine Informationen.

Die Contracor Strahlkabine bietet einen geschlossenen Strahlarbeitsbereich, der eine effiziente Strahlreinigung ermöglicht während der umliegende Arbeitsbereich sauber bleibt.

Die Arbeitsleistung der Strahlkabinen hängen von der Düsengröße, der Kompressorleistung, dem Arbeitsdruck, Art und Größe des Strahlmittels und dem Abstand von der Düse zur Oberfläche des zu reinigenden Werkstücks ab. Die Contracor Injektor-Strahlkabine besteht aus drei Modulen:

1. Stabil gebaute, geschweißte Stahlarbeitskammer
2. Zyklon-Strahlmittelrückgewinnung für größte Effektivität bei der Wiederverwendung von Strahlmittel.
3. Staubabscheider mit Hochleistungsgebläse und impulsgereinigter Filterpatrone.

## 3.2. Funktionsprinzip.

Wenn die Luftversorgung an und die Türen geschlossen sind, kann die Maschine durch Betätigen des Fußschalters gestartet werden. Ein vollständiges Durchtreten des Pedals leitet Druckluft durch die Pistole. Die Luftbewegung saugt Strahlmittel in die Mischkammer der Pistole. Das Strahlmittel vermischt sich mit der Luft und wird durch die Düse herausgeschleudert.

Nach dem Auftreffen auf dem Werkstück fällt das Strahlmittel, zusammen mit Staub, zerbrochenem Strahlmittel und beim Strahlen anfallenden Teilchen durch den Rost in den Auffangtrichter der Kabine. Diese Partikel werden zur Trennung in die Rückgewinnung geleitet.

Zuerst werden Staub und Feinpartikel vom wiederverwendbaren Strahlmittel getrennt. Danach werden größere Teile ausgesiebt und das Strahlmittel im Rückgewinnungsbehälter zur Wiederverwendung aufgefangen. Gleichzeitig werden Staub und feine Partikel durch die Rückgewinnung in den Patronenstaubfilter gezogen, der den Staub auffängt und saubere Luft ausstößt. Wird das Fußpedal losgelassen, stoppt der Strahlvorgang.

Die Filterpatrone des Staubabscheiders wird durch Hochgeschwindigkeits-Druckluftstöße auf die Innenseite des Filters gereinigt. Ein elektronischer Timer steuert die Zeit zwischen den Impulsen. Die sich ausbreitende Luft dreht kurzzeitig die Fließrichtung der Luft um und löst so den Staub, der sich an der Außenseite angesammelt hat. Die Staubpartikel fallen von der Patrone zur Entsorgung in den Auffangbehälter.

### 3.3 Luftdüsendurchmesser und benötigte Druckluftmenge

Ein breites Sortiment an Luftdüsendrößen und Strahldüsen ist erhältlich zur exakten Anpassung für optimale Leistung.

Die Größe des benötigten Kompressors zum Betrieb der Strahlkabine hängt von der Größe der Luftdüse und dem Betriebsdruck ab. Siehe Tabelle 3.1 Druckluft-Anforderungen.

In der Standardausführung werden die Kabinen mit der Strahlpistole GX ausgeliefert, ausgerüstet mit Ø 4 mm Luftdüse und Ø 8 mm Strahldüse.

**Table. 3.1** Druckluft-Anforderungen

Ø Luftdüse (mm)	Ø Strahldüse (mm)	DRUCKLUFTBEDARF (m <sup>3</sup> /min.) bei Arbeitsdruck, bar								
		2	3	4	5	6	7	8	10	12
3,2	6,0	0,245	0,326	0,406	0,487	0,568	0,649	0,730	0,891	1,050
4,0	8,0	0,436	0,579	0,723	0,865	1,010	1,150	1,300	1,585	1,870
5,0	10,0	0,681	0,905	1,130	1,350	1,580	1,800	2,030	2,480	2,930

### 3.4 Strahlmittel

Contracor Kabinen können mit den meisten gängigen Strahlmitteln verwendet werden, 1,50 mm Körnung oder größer, die speziell zum Trockenstrahlen hergestellt werden.

Die Angabe der zu verwendenden Korngrößen und Düsendrößen beruht auf einem normalen Strahlmittelfluss. Zäher Strahlmittelfluss oder geringer Unterdruck erlauben eventuell nur die Verwendung von kleineren Durchmessern.

**Stahlstrahlmittel:** Stahlguss rund oder kantig können in den Strahlkabinen CAB-110S und CAB-135S mit Einschränkungen verwendet werden. (maximale Körnung ca. 0,80 mm). Gummiverkleidungen sollten benutzt werden, um die Kabineninnenwände vor schnellerer Abnutzung zu schützen.

**Sand und Schlacke:** Sand sollte niemals verwendet werden aufgrund der Gesundheitsgefahr die von silikogenen Strahlmitteln ausgeht.



## **ACHTUNG!**

**Strahlen mit Quarzsand der Siliziumdioxid enthält kann schwere oder tödliche Atemwegserkrankungen hervorrufen**

Schlacke ist nicht empfehlenswert, da sie schnell zerschlägt.

**Korund, Siliciumcarbid, Granatsand:** Aggressive Strahlmittel wie diese können verwendet werden, allerdings sollte man bedenken, dass sie zu schnellerer Abnutzung der Kabinenteile, der Rückgewinnung, der Düsen und der Schläuche, die mit ihnen in Kontakt kommen, führen.

Falls aggressive Strahlmittel verwendet werden, muss eine Wolframkarbid-Düse benutzt werden. Die Standzeit einer Wolframkarbid-Düse ist 10 bis 20 mal höher als die einer Keramikdüse.

**Glaskugeln:** Die meisten Glaskugeln werden behandelt, um auch unter etwas feuchteren Bedingungen einen guten Strahlmittelfluss sicherzustellen. Glaskugeln, die zu hoher Feuchtigkeit ausgesetzt waren, können nach gründlicher Trocknung und dem Aufbrechen von Verklumpungen wieder verwendet werden.

## **3.5 Qualität der Druckluft**

Der Luftfilter am Lufteinlass vermindert das Eindringen von Wasser mit der Druckluft. Die Verwendung ist besonders wichtig in Bereichen mit hoher Luftfeuchtigkeit oder bei Verwendung von feinem Strahlmittel. Feuchtigkeit führt zum Verklumpen von Strahlmittel und behindert den freien Fluss in der Zuführung. Bei anhaltenden Feuchtigkeitsproblemen könnte ein Drucklufttrockner nötig sein.

# **4. Aufbau, Betrieb und Beenden der Arbeit**

## **4.1. . Installation and Set-up.**

### **4.1.1 Aufstellungsort**

Wählen Sie einen Aufstellungsort, an dem Druckluft, Wasser und ein Stromanschluss

verfügbar sind. Achten Sie darauf, dass alle Türen und Servicebereiche frei zugänglich sind und genügend Platz vorhanden ist, um mit großen Teilen zu arbeiten.

#### 4.1.2 Druckluftversorgung

Verbinden Sie die Druckluftzuleitung mit einem Innendurchmesser von mindestens I.D. =  $\frac{1}{2}$ " mit dem Kabinenanschluss. Verwenden Sie für die Verbindung einen flexiblen Schlauch mit dem gleichen Innendurchmesser wie die Hauptluftleitung. Ein kleinerer Schlauch- oder Leitungsdurchmesser kann zu geringerer Strahlleistung führen.



### **ACHTUNG!**

**Stellen Sie sicher, dass alle Leitungsverbinder und Schlauchschellen fest sind, bevor Sie die Strahlkabine in Betrieb nehmen. Ein sich unter Druck lösender Schlauch kann schwere Verletzungen hervorrufen.**

#### 4.1.3 Erdung

Erden Sie die Kabine, um statische Aufladung zu vermeiden. Zur Erdung bringen Sie ein geerdetes Kabel am Erdungsanschluss an der Kabinenverkleidung an.

#### 4.1.4 Elektrischer Anschluss



### **ACHTUNG!**

**Alle elektrischen Arbeiten müssen von einem qualifizierten Elektriker entsprechend den nationalen und regionalen Vorschriften ausgeführt werden.**

Ein elektrischer Schaltplan wird mitgeliefert. Nach der Fertigstellung der Verdrahtung überprüfen Sie die Motorlaufrichtung. Schalten Sie dazu kurz ein und gleich wieder aus. Der Motor wird sich langsam drehen. Überprüfen Sie die Laufrichtung des Lüfterrades durch die Schlitze im Motorgehäuse. Der Lüfter sollte sich im Uhrzeigersinn drehen, wenn man vom Lüfter in Richtung Motor schaut.



### **ACHTUNG!**

**Schauen Sie nicht in den Auslass der Rückgewinnung während sich die Absaugung dreht. Herausgeschleuderte Objekte könnten Augen- oder Gesichtsverletzungen verursachen.**

### 4.1.5 Kabinendruck

Der Unterdruck in der Kabine muss so eingestellt werden, dass er zu der Größe der Kabine und der Rückgewinnung passt. Öffnen Sie die Strömungsklappe am Einlass um den Druck zu senken oder schließen Sie sie weiter, um den Unterdruck zu erhöhen.

Verwenden Sie die Handschuhe als Anzeiger des Kabinendrucks. Bei laufender Absaugung sollten die Handschuhe aufgeblasen sein, sich aber nicht vom Gitter abheben.

### 4.1.6 Fußpedal

Positionieren Sie das Fußpedal für leichte Erreichbarkeit auf dem Boden vor der Strahlkabine. Die Strahlkabine ist für einen Bediener vorgesehen. Stellen Sie sicher, dass Sie im Notfall schnell den Fuß vom Pedal nehmen können.

## 4.2. Strahlvorgang

### 4.2.1 Befüllen mit Strahlmittel

Füllen Sie bei ausgeschalteter Absaugung trockenes, sauberes Strahlmittel durch die Tür des Rückgewinners in den Rückgewinnertrichter. Füllen Sie nur bis zur Oberkante des Trichters der Rückgewinnung.

Füllen Sie kein Strahlmittel direkt in den Kabinenauffangtrichter, da die Gefahr des Überbefüllens besteht. Zuviel Strahlmittel führt dazu, dass Strahlmittel in den Staubabscheider gelangt, und der Zufuhrschlauch kann verstopfen.

Füllen Sie nur nach nachdem alles Strahlmittel aus der Kabine zurückgeführt wurde.

**Table 4.1** Die Mindestmenge an Strahlmittel, um das System zu beladen, ist

CAB-110P	CAB-135P
20 kg	40 kg

### 4.2.2 Entnahme des Strahlmittels

Um altes Strahlmittel aus der Kabine zu entnehmen, schalten Sie die Absaugung ab und stellen Sie einen leeren Behälter unter das Regelventil. Schrauben Sie den unteren Stopfen des Regelventils ab. Das Strahlmittel fließt in nun in den Behälter. Falls es nicht heraus fließt ist es verklumpt. Öffnen Sie die Befüllungstür und rühren Sie das Strahlmittel, bis es abfließt.



### 4.2.3. Einbringen und Herausnehmen von Werkstücken

Werkstücke können durch eine der Türen eingelegt bzw. herausgenommen werden.

Die zu bearbeitenden Teile müssen frei von Öl, Wasser, Fett oder anderen verunreinigenden Stoffen sein, die Strahlmittel verklumpen oder Filter verstopfen.

Wenn Sie die Tür schließen, stellen Sie sicher, dass sie fest zu ist, andernfalls wird die Türsicherung den Strahlvorgang unterbinden.

### 4.2.4. Strahlvorgang



## **ACHTUNG!**

**Schließen Sie immer die Kabinen-, Rückgewinnungs- und Staubabscheidertüren vor dem Strahlvorgang. Halten Sie während des Strahlens alle Türen geschlossen.**

**Tragen Sie immer Strahlhandschuhe.**

**Richten Sie die Strahldüse nicht auf das Sichtfenster.**

**Reinigen Sie das Werkstück mit der Abblasdüse bevor Sie die Türen öffnen.**

**Lassen Sie nach dem Strahlen die Türen geschlossen und die Absaugung an, bis die Luft in der Kabine frei von Staub ist.**

**Stoppen Sie den Strahlvorgang sofort, wenn Sie ein Austreten von Staub bemerken.**

Öffnen Sie die Druckluftzufuhr zur Strahlkabine. Überprüfen Sie sie bei der ersten Inbetriebnahme auf Undichtigkeiten.

Stellen Sie den Impulsdruckregler (Position siehe Zeichnung 2) auf 4,5 bar. Drehen Sie den An/Ausschalter in die "I" Position, um die Beleuchtung und die Impulsreinigung des Filters anzuschalten. Drücken Sie den Knopf ON, um die Absaugung zu starten.

Führen Sie Ihre Hände in die Gummihandschuhe ein. Halten Sie die Strahlpistole gut fest und treten Sie auf das Fußpedal. Der Strahlvorgang wird sofort ausgelöst. Stellen Sie den Strahl Druck am Strahl Druckregler, der sich am Bedienfeld befindet, ein. Das Manometer am Bedienfeld zeigt den tatsächlichen Strahl Druck an.

Die effektivste Strahltechnik ist, sanfte, gleichmäßige Bewegungen durchzuführen. Der Abstand zum Werkstück beeinflusst die Größe des Strahlbilds. Normalerweise beträgt der Abstand von der Düse zur Oberfläche des Werkstücks etwa 70 bis 150mm.



## **ACHTUNG!**

**Schalten Sie die Kabine unverzüglich ab, wenn Staub aus dem Staubabscheider austritt. Überprüfen Sie den Filter auf korrekten Sitz, Abnutzung und Beschädigung. Längeres Einatmen von Staub kann zu schweren Lungenkrankheiten oder Tod führen. Kurzzeitige Aufnahme von giftigem Staub, z.B. Blei, stellt eine unmittelbare Gesundheitsgefahr dar. Giftigkeit und Gesundheitsrisiko hängen von der Art des Staubes ab, der beim Strahlen entsteht. Identifizieren Sie alle Materialien, die beim Strahlen entfernt werden und besorgen Sie sich Sicherheitsdatenblätter für die Strahlmittel.**

Längere Strahlarbeiten oder Einsatzbedingungen erfordern möglicherweise Anpassungen der Timereinstellungen.

### **4.2.5. Beenden des Strahlvorgangs und Abschalten der Kabine**

Um den Strahlvorgang zu beenden, nehmen Sie den Fuß vom Pedal.

Verwenden Sie die Reinigungsdüse, um Strahlmittel vom bearbeiteten Teil zu blasen. Warten Sie, bis die Absaugung die Kabinenluft von Staub gereinigt hat, bevor Sie die Tür öffnen und Teile herausnehmen.

Drücken Sie den Knopf OFF um die Absaugung abzuschalten.

Drehen Sie den An/Ausschalter in die "0" Position, um das Licht und die Impulsreinigung des Filters abzuschalten. Schließen Sie die Luftzufuhr zur Kabine und entleeren Sie den Luftfilter.

## **4.3. Einstellen**

### **4.3.1 Strahldruck**

Der Strahldruckregler am Bedienfeld der Kabine ermöglicht es dem Bediener, den Strahldruck der jeweiligen Anwendung anzupassen. Ein Druck von ungefähr 5-6 bar ist für die meisten Anwendungen geeignet. Ein geringerer Druck kann bei empfindlicheren Untergründen nötig sein, und er reduziert die Zerschlagung des Strahlmittels. Ein höherer

Druck kann bei schwierigeren Strahlarbeiten mit widerstandsfähigeren Untergründen erforderlich sein, aber er führt zur schnelleren Zerschlagung des Strahlmittels.

In jedem Fall kann die höchste Produktivität nur erreicht werden, wenn man den Strahldruck aufmerksam überwacht.

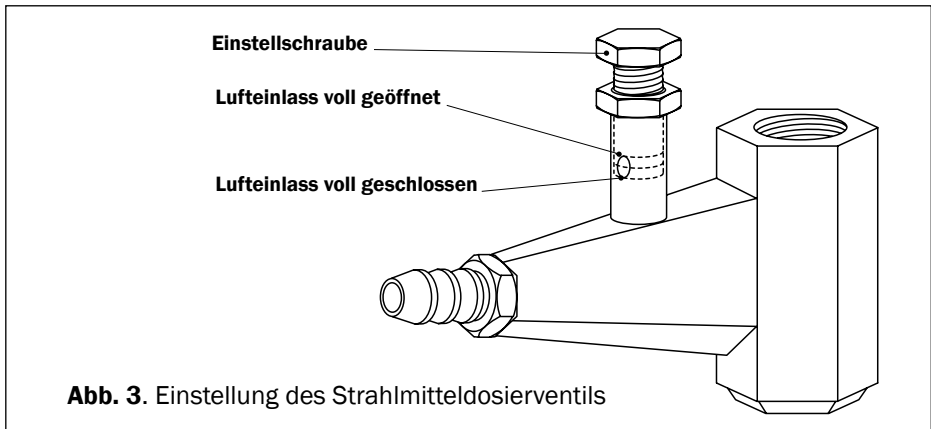
Stellen Sie den Strahldruck durch Drehen des Knopfes am Strahldruckregler ein, der sich am Bedienfeld befindet. Ziehen Sie den Knopf heraus und drehen Sie ihn im Uhrzeigersinn, um den Druck zu erhöhen, oder gegen den Uhrzeigersinn, um den Druck zu vermindern. Nach dem Einstellen des Druckes, drücken Sie den Knopf wieder hinein, um zu ihn verriegeln.

### 4.3.2 Luftdüseneinstellung

Die Luftdüse sollte 4,5 bis 5 volle Umdrehungen hinten in das Gehäuse der GX Pistole geschraubt werden. Es bleiben etwa 3,5 bis 4 Windungen sichtbar hinter der Kontermutter. Ziehen Sie die Kontermutter an, um die eingestellte Öffnung zu fixieren.

### 4.3.3 Strahlmittel-Luft Gemisch

Beobachten Sie den Strahlmittelfluss durch den durchsichtigen Strahlmittelschlauch. Das Strahlmittel sollte ungehindert und gleichmäßig durch den Schlauch fließen.



Wenn die Luft aus der Düse stoßweise austritt oder das Strahlmittel nicht gleichmäßig fließt, muss das Strahlmitteldosierventil nachgestellt werden. Zur Einstellung lösen Sie die Kontermutter und drehen Sie die Einstellschraube bis der Lufteinlass im Ventilsitz halb verschlossen ist.

Falls Stöße im Strahlmittelschlauch auftreten, ist das Strahlmittel entweder feucht und verklumpt, oder es kommt nicht genug Luft in den Strahlmittelfluss. Lösen Sie während des Strahlens die Kontermutter und drehen Sie die Einstellschraube gegen den Uhrzeigersinn (von oben gesehen), bis das Strahlmittel gleichmäßig fließt. Sichern Sie dann die Einstellung durch Anziehen der Kontermutter.

Falls der Strahlmittelfluss zu leicht ist, vermindern Sie die Luft in der Mischung durch Eindrehen der Einstellschraube im Uhrzeigersinn (von oben gesehen). Dadurch wird der Lufteinlass verschlossen, so dass weniger Luft in den Strahlmittelschlauch gelangt. Sichern Sie dann die Einstellung durch Anziehen der Kontermutter.

#### **4.3.4 Unterdruck in der Rückgewinnung**

Der richtige Druck hängt von der Größe des Rückgewinnungssystems und der Art, der Größe und dem Gewicht des Strahlmittels ab. Stellen Sie den Druck durch Öffnen (Griff waagrecht) oder Schließen (Griff senkrecht) des Einlassdämpfers der Strömungsklappe am Patronenstaubfilter ein. Wenn die Strömungsklappe nicht weit genug geöffnet ist, werden nicht genug Feinpartikel entfernt, was zu staubigem Strahlmittel, schlechter Sicht und möglicherweise zu Verstopfen im Förderschlauch führt.

Wenn die Strömungsklappe zu weit geöffnet ist, könnte es zum Übertritt von noch brauchbarem Strahlmittel in den Staubabscheider kommen, was einen erhöhten Verbrauch zur Folge hat. Öffnen Sie die Klappe also nur so weit, dass der Staub entfernt wird, ohne dass Strahlmittel übertritt.

#### **4.3.5 Unterdruck in der Kabine**

Nachdem der Einlass anfangs wie in Abschnitt 4.1.5 eingestellt wurde, muss er nur selten nachgeregelt werden. Diese Grundeinstellung erzeugt einen Unterdruck von etwa 50% bis 75% in der Arbeitskammer der Kabine.

Zum Verstellen öffnen Sie den Einlassdämpfer, um den Unterdruck zu vermindern, oder schließen Sie ihn, um den Unterdruck zu erhöhen. Verwenden Sie die Handschuhe als Anzeiger für den richtigen Kabinendruck. Die Handschuhe sollten sich bei eingeschalteter Absaugung aufblasen, aber nicht vom Kabinenrost abheben.

#### **4.3.6 Türsicherung**

Die Türsicherungen unterbrechen den Strahlregelkreislauf, wenn die Türen geöffnet

sind. Um den Strahlvorgang zu ermöglichen, müssen die Türschalter einschalten, wenn die Türen geschlossen sind. Die Türsicherungen werden im Werk eingestellt und benötigen normalerweise keine Einstellung vor Ort, außer wenn Teile ausgetauscht wurden.

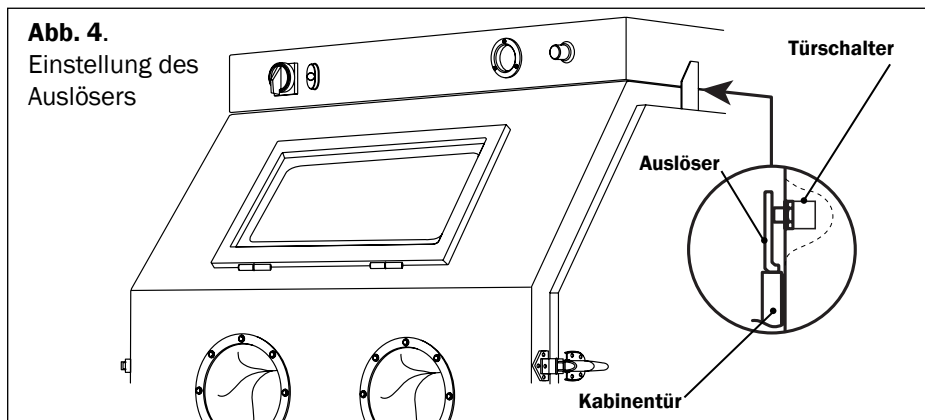


## ACHTUNG!

**Versuchen Sie nie, die Türsicherung zu umgehen.**

**Dies könnte zu Verletzungen durch unerwartetes Strahlen führen.**

Um den Auslöser einzustellen, biegen Sie ihn von Hand so, dass er bei vollständig geschlossener Tür den Schalter betätigt.



Überprüfen Sie die Funktion sowohl mit offenen als auch mit geschlossenen Türen. Richten Sie die Düse nicht auf die Tür und öffnen Sie die Tür nur soweit, dass der Schalter nicht schließt. Die Türschalter sollten den Strahlvorgang unterbinden, wenn die Türen geöffnet werden und das Strahlen nur bei geschlossenen Türen zulassen.

**BEACHTEN SIE:** Unterdruck in der Kabine kann dazu führen, dass sich die Türen nach innen biegen. Die Tests sollten bei laufender Absaugung durchgeführt werden.

### 4.3.7 Impulsdruck

Stellen Sie der Impulsdruck am Regler, der am Einlass angebracht ist, ein. Beginnen Sie mit einer Einstellung von 4,5 bar.

Wenn diese Impulse die Patrone nicht ausreichend reinigen, erhöhen Sie der Druck in 0,5 bar Schritten bis höchstens 6,0 bar. Eine höhere Impulsstärke könnte die Filterpatrone

beschädigen. Wenn sich nach der Erhöhung des Drucks Staub an der Patrone anlagert, verändern Sie die Impulsabstände.

#### 4.3.8 Timer

Stellen Sie die Impulslänge und Häufigkeit am Timer ein (Position siehe Zeichnung 2).

Verwenden Sie die ON Skala zum Einstellen der Impulslänge und die OFF Skala zur Einstellung der Zeit zwischen den Impulsen. Grundeinstellung:

**Impulslänge** (ON Skala) - 60 ms (bei 4.5 bar Impulsstärke)

**Zeitraum zwischen den Impulsen** (OFF Skala) - 5 min.

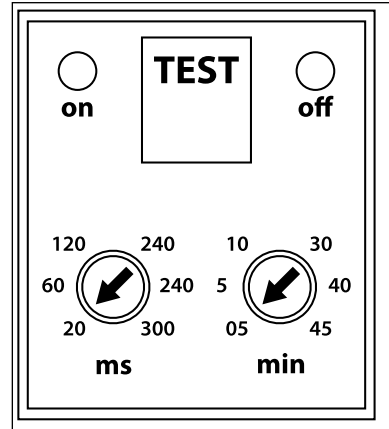


Abb. 5. Einstellung der Impulsdauer und der Impulsintervall

## 5. Wartung

### 5.1. Laufende Wartung.

#### 5.1.1 GX Handstrahlpistole

Überprüfen Sie die GX Handstrahlpistole auf Abnutzung. Das Ersetzen der Luftdüsenabdeckung bevor sie ganz abgenutzt ist verlängert die Lebensdauer der Düse.

#### 5.1.2 Staubbehälter

Leeren Sie den Staubbehälter regelmäßig. Überprüfen Sie den Behälter mindestens einmal am Tag oder wenn Sie Strahlmittel nachfüllen. Passen Sie dann die Häufigkeit der Überprüfung der Nutzung der Kabine und der Verunreinigung und Bröckeligkeit des Strahlmittels an.

#### 5.1.3 Grobfilter/Sieb der Rückgewinnung

Das Sieb ist durch die Tür des Rückgewinnungssystems zugänglich. Entnehmen und entleeren Sie das Sieb täglich oder wenn Sie Strahlmittel nachfüllen (bei ausgeschalteter Absaugung). Falls beim Strahlen mehr Schmutz anfällt, leeren Sie das Sieb häufiger. Betreiben Sie die Maschine nicht ohne das Sieb.

### **5.1.4 Luftfilter**

Die Kabine ist mit einem manuell entleerbaren Luftfilter ausgerüstet.

Entleeren Sie den Filter mindestens einmal täglich oder häufiger, falls notwendig, oder wenn Sie bemerken, dass feiner Nebel aus der Düse austritt. Feuchte Luft behindert den Strahlmittelfluss. Falls weiterhin Feuchtigkeit auftritt, kann es notwendig sein, einen Lufttrockner vorzuschalten.

### **5.1.5 Strahlmittelschlauch**

Um Arbeitsunterbrechungen zu vermeiden, überprüfen Sie den Strahlmittelschlauch auf dünne Stellen, besonders entlang des Außenradius.

## **5.2 Wartung**

### **5.2.1 Handschuhe**

Für eine komfortable Bedienung ist die Kabine mit speziellen, statikableitenden Handschuhen ausgestattet. Da die Handschuhe abnutzen, ist es notwendig, sie regelmäßig zu ersetzen. Ein erstes Zeichen von Abnutzung können häufige statische Stromschläge sein.

Die Handschuhe sind mit Metallschellen an der Innenseite der Kabine befestigt. Um sie zu ersetzen, lösen Sie die Schellen mit einem Schraubendreher, tauschen Sie die Handschuhe aus und ziehen Sie die Schellen wieder fest.

### **5.2.2 Strahldüse**

Ersetzen Sie die Düse wenn sich der Durchmesser um max. 2mm vergrößert hat, oder eher, falls der Druck merkbar nachlässt.

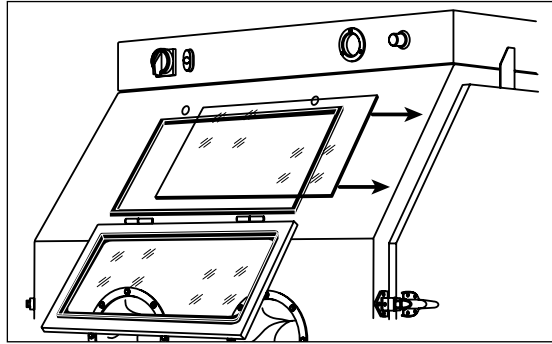
Um die Düse auszutauschen, lösen Sie die Haltemutter an der Pistolenspitze. Ziehen Sie die Düse von der Pistole ab und setzen Sie eine neue Düse ein. Schrauben Sie dann die Haltemutter wieder auf die Pistole auf.

### **5.2.3 Ersetzen der Verschleißglasscheibe**

Entfernen Sie die beiden Muttern am oberen Rand des Fensterrahmens und schwenken Sie den Rahmen auf. Drücken Sie durch die Türöffnung von hinten an die zu ersetzende Scheibe, um Sie nach vorne abzunehmen. Überprüfen Sie beide Fensterdichtungen, die am Fensterrahmen und die an der Kabine. Falls eine Dichtung

beschädigt ist, ersetzen Sie sie wie in Abschnitt 5.2.5. beschrieben.

**Abb. 6.** Ersetzen der Verschleißglasscheibe



#### 5.2.4 Ersetzen der Scheibe des Sichtfensters



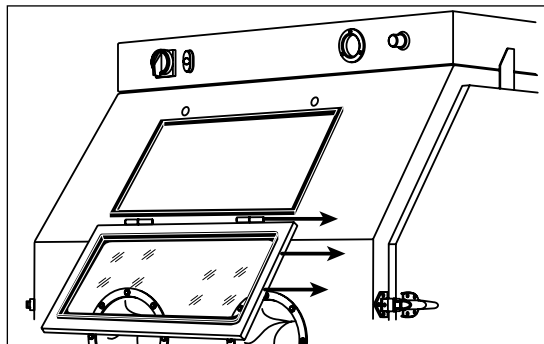
### **ACHTUNG!**

**Verwenden Sie keine normalen Glasscheiben als Ersatz für das Sichtfenster, es könnte beim Aufprallen von Teilen bersten und schwere Verletzungen verursachen.**

**Verwenden Sie nur original vom Hersteller zugelassenes, beschichtetes Sicherheitsglas.**

Entfernen Sie die beiden Muttern am oberen Rand des Fensterrahmens und schwenken Sie den Rahmen auf. Entfernen Sie die Fensterscheibe wie in Bild 7, um Glasbruch zu vermeiden.

**Abb. 7.** Entfernen der Fensterrahmen

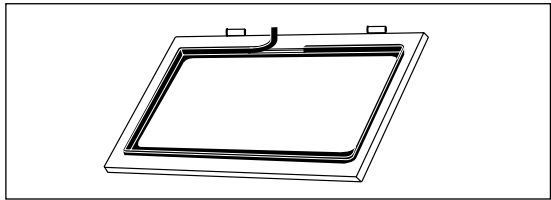


Entfernen Sie das alte Fenster durch Herausziehen des Fensterprofilgummis. Setzen Sie das Fensterprofil in die Fensteröffnung ein, indem Sie den engen Schlitz über die Metallkante der Öffnung stülpen.



Die Profilenenden sollten in der Mitte einer geraden Seite aufeinander treffen. Die Enden sollten aufeinander drücken, damit sie dicht abschließen. Installieren Sie nun von vorne das Sichtfenster in der breiten Nut des Profils.

**Abb. 8.** Ersetzen der Scheibe des Sichtfensters



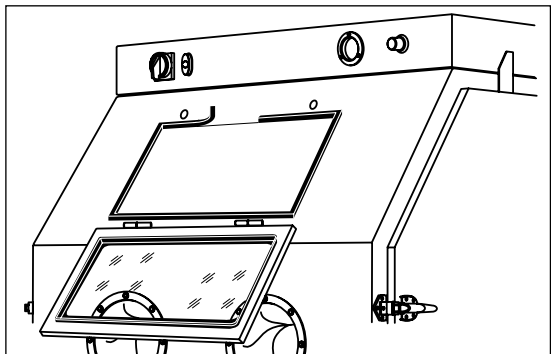
### 5.2.5 Ersetzen der Fensterdichtungen

Ersetzen Sie die Dichtungen im Fensterrahmen und am Kabinenfenster beim ersten Anzeichen, dass Stoffe am Fenster austreten, oder wenn die Dichtungen beschädigt zu sein scheinen.

Überprüfen Sie die Dichtungen, wenn Sie die Scheibe des Sichtfensters wechseln. Nehmen Sie das Fenster und den Fensterrahmen wie in Abschnitt 5.2.4 ab. Entfernen Sie das alte Dichtungsmaterial komplett und reinigen Sie die Oberflächen an der Kabine und am Fensterrahmen.

Ziehen Sie etwas von der Schutzfolie vom 3x15 mm -Dichtstreifen ab und kleben Sie das Ende der Dichtung in der Mitte der Fensteroberkante an, wie in Abbildung 9 dargestellt. Ziehen Sie dann schrittweise die Schutzfolie weiter ab und drücken Sie die Dichtung für gute Klebewirkung fest an. Arbeiten Sie sich am Radius der Ecken entlang und schneiden Sie die Dichtung so ab, dass die Enden mit etwas Druck aufeinander stoßen und dicht abschließen.

**Abb. 9.** Ersetzen der Fensterdichtungen



## 5.2.5 Filterpatronenwechsel



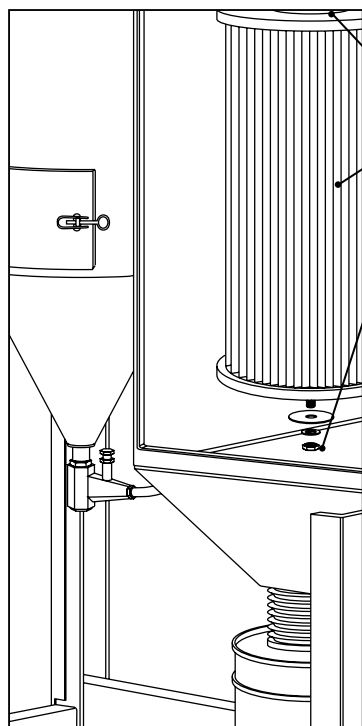
### **ACHTUNG!**

**Tragen Sie bei Wartungsarbeiten an staubbelasteten Bereichen der Kabine oder des Staubabscheiders und beim Leeren des Staubbehälters immer geeigneten und zugelassenen Atemschutz und Augenschutz, andernfalls kann es zu schweren Augenreizungen und schweren bis tödlichen Lungenerkrankungen kommen.**

**Die Giftigkeit und das Gesundheitsrisiko hängen vom Strahlmittel und dem beim Strahlen entstehenden Staub ab.**

**Der Atemschutz muss für den entstehenden Staub zugelassen sein.**

**Identifizieren Sie alle beim Strahlen freiwerdenden Materialien und besorgen Sie sich Sicherheitsdatenblätter für das Strahlmittel.**



**Abb. 10.** Filterpatronenwechsel

**Patronenfilter-Dichtung**

**Patronenfilter**

**Flügelmutter**

Eingang des Impulsreinigers ab. Lösen Sie die Flügelmutter und nehmen Sie die Staubabscheidertür ab. Entfernen Sie die Haltemutter, Unterlegscheibe und Dichtung. Um den Filter zu entnehmen, schieben Sie ihn gerade nach unten von der Haltestange herunter. Reinigen Sie alle Teile, die wieder verwendet werden, besonders im Dichtungsbereich. Kratzen Sie eventuelle Reste von Dichtungsmaterial im Dichtungsbereich ab. Installieren Sie die neue Filterpatrone und Dichtung. Ziehen Sie die Haltemutter so fest an, bis die Patrone sich nicht mehr von Hand bewegen lässt. Ziehen Sie die Mutter dann noch eine ganze Umdrehung weiter an. Überprüfen Sie die Dichtung der Staubabscheidertür auf ihren Zustand und

ersetzen Sie sie, falls ihr Zustand keine vollständige Abdichtung mehr gewährleistet. Bringen Sie die Tür wieder an. Nehmen Sie die Patrone in Betrieb wie in Abschnitt 5.2.7.

### 5.2.7 Inbetriebnahme einer neuen Filterpatrone

Neue Filterpatronen müssen vorgealtert werden. Dazu lässt man eine Staubschicht an dem Filter entstehen, bevor man die Impulsreinigung anschaltet. Um die Impulsreinigung abzuschalten, drehen Sie den Impulsdruckregler aus (auf 0 bar). Betreiben Sie dann die Kabine ohne Impulsreinigung etwa zwei Stunden lang oder bis die Sicht abnimmt, je nachdem, was zuerst eintritt. Stellen dann Sie den Impulsdruckregler auf 4,5 bar um die Impulsreinigung zu starten.

## 6. Störungsbeseitigung



### **ACHTUNG!**

**Um schwere Verletzungen zu vermeiden, beachten Sie folgende Regeln bei der Störungsbeseitigung:**

- . Drehen Sie die Luftzufuhr ab und lösen Sie die Schläuche.**
- . Falls zur Überprüfung Luft benötigt wird, holen Sie unbedingt die Hilfe einer zweiten Person hinzu, um:**
  - die Düse festzuhalten.**
  - das Fußpedal zu bedienen.**
- . Umgehen Sie nie das Fußpedal und verkeilen Sie es nie in Arbeitsposition.**
- . Umgehen Sie nie das Türsicherungssystem.**

### 6.1. Schlechte Sicht.

**6.1.1** Schlechte Sicht könnte durch eine verschmutzte Filterpatrone verursacht werden. Leeren Sie den Staubbehälter regelmäßig. Überprüfen Sie die Filterpatrone und ersetzen Sie sie falls notwendig.

**6.1.2** Der Motor dreht sich rückwärts. Der Motor sollte sich in die durch den Pfeil am Gehäuse angegebene Richtung drehen. Falls er sich nicht in die richtige Richtung dreht, schalten Sie den Strom ab und nehmen Sie die Anschlussleitung vom Netz. Tauschen Sie dann die Anschlüsse wie auf der Motorplatte/plakette angeben.

**6.1.3** Die Verwendung von weichem Strahlmittel, das schnell zerschlägt, oder zu feines oder verbrauchtes Strahlmittel kann zu schlechter Sicht führen.

**6.1.4** Die Strömungsklappe am Auslass ist zu weit geschlossen und behindert den

Luftstrom. Stellen Sie Kabinendruck ein wie in Abschnitt 4.3.5 erläutert.

**6.1.5** Die Strömungsklappe am Einlass muss weiter geöffnet werden. Ein zu großer Widerstand am Einlass behindert die Luftbewegung in der Kabine. Öffnen Sie die Strömungsklappe wie in Abschnitt 4.3.5.

**6.1.6** Durch Abnutzung ist ein Loch im Schlauch zwischen Kabinenauffangtrichter und Rückgewinnung oder zwischen Auslass der Rückgewinnung und Einlass des Staubabscheiders entstanden. Ersetzen Sie den Schlauch und verlegen Sie ihn mit so wenig Kurven wie möglich, um Verschleiß zu vermeiden.

**6.1.7** Die Tür der Rückgewinnung ist offen. Die Tür der Rückgewinnung muss während des Betriebs der Kabine geschlossen sein.

**6.1.8** Überprüfen Sie den Schlauch zwischen Kabinenauffangtrichter und Einlass der Rückgewinnung auf Verstopfung.

## **6.2 Außergewöhnlich hoher Strahlmittelverbrauch**

**6.2.1** Die Tür der Rückgewinnung ist offen, nicht richtig angebracht, oder die Dichtung ist abgenutzt. Dadurch gelangt Luft in die Rückgewinnung, was dazu führt, dass Strahlmittel in den Staubabscheider transportiert wird. Verwenden Sie das System nur mit geschlossener Tür.

**6.2.2** Durch Abnutzung ist ein Loch in der Rückgewinnung entstanden oder eine Schweißnaht ist undicht geworden. Überprüfen Sie die gesamte Rückgewinnung auf Undichtigkeiten, durch die Luft einströmt.

**6.2.3** Die Auslassklappe ist zu weit geöffnet. Stellen Sie den Unterdruck wie in Abschnitt 4.3.5. beschrieben ein.

**6.2.4** Es wird zu weiches Strahlmittel verwendet, das schnell zerschlägt, oder das Strahlmittel ist zu fein oder schon abgenutzt.

**6.2.5** Der Strahl Druck ist zu hoch für das verwendete Strahlmittel, so dass es schneller zerschlägt.

## **6.3 Verminderte Strahlarbeitsleistung**

**6.3.1** Zu wenig Strahlmittel reduziert den Strahlmittelfluss. Überprüfen Sie die Menge und füllen Sie gegebenenfalls Strahlmittel nach.

**6.3.2** Falsche Einstellung des Dosierventils. Stellen Sie es wie in Abschnitt 4.3.3 angegeben ein.

**6.3.3** Verminderter Luftdruck. Dies könnte durch einen nicht richtig funktionierenden Regler, ein verschmutztes Filterelement im Luftfilter, ein teilweise geschlossenes Luftventil, eine undichte Zuleitung oder gleichzeitige Verwendung von anderen Luftdruckwerkzeugen hervorgerufen werden.

**6.3.4** Verstopfte Strahlmittelzufuhr oder Pistole. Ein Verstopfen kann auftreten als Resultat von fehlendem Grobfiltersieb in der Rückgewinnung oder falscher Einstellung des Dosierventils, so dass der Strahlmittelfluss zu zäh ist. Überprüfen Sie die Einstellung wie in Abschnitt 4.3.3.

**6.3.5** Abnutzung bei Teilen der Pistole wie Düsenspitze oder Luftdüse. Überprüfen Sie die Pistole und ersetzen Sie alle abgenutzten Teile.

**6.3.6** Abgenutzter Strahlmittelschlauch. Überprüfen Sie den Schlauch auf Lecks oder weiche Stellen und ersetzen Sie ihn, wenn er abgenutzt oder beschädigt ist.

**6.3.7** Luftdüse in der Pistole verstellt. Überprüfen Sie die Einstellung wie in Abschnitt 4.3.2.

**6.3.8** Feuchtes Strahlmittel. Häufiges Verklumpen oder Verstopfen im Bereich des Regelventils kann durch Feuchtigkeit verursacht werden. Siehe Abschnitt 6.5.

## 6.4 Verstopfte Düse

**6.4.1** Ein beschädigtes oder fehlendes Sieb in der Rückgewinnung lässt größere Partikel durch, die die Düse verstopfen. Ersetzen Sie das Sieb bzw. setzen Sie es wieder ein.

**6.4.2** Strahlmittelgemisch zu zäh. Verändern Sie das Gemisch wie in Abschnitt 4.3.3 beschrieben.

## 6.5. Klumpiges Strahlmittel

**6.5.1** Häufiges Verklumpen oder Verstopfen im Strahlmitteldosierventil kann durch feuchtes Strahlmittel verursacht werden. Das Strahlmittel wird feucht durch leicht ölige Werkstücke, durch Feuchtigkeit in der Druckluftleitung oder durch Absorption.

**6.5.2** Um die Verunreinigung des Strahlmittels durch das Werkstück zu vermeiden, sollten alle Teile, die in die Kabine gebracht werden, sauber und trocken sein. Falls Teile ölig oder fettig sind, entfetten und trocknen Sie sie vor dem Strahlen.

**6.5.3** Feuchte Druckluft könnte durch einen fehlerhaften Kompressor entstehen, der überhitzt oder Öl oder Feuchtigkeit in die Leitung pumpt, durch eine zu lange Zuleitung, in deren Inneren Feuchtigkeit kondensieren kann, oder durch hohe Luftfeuchtigkeit. Entleeren Sie Filter und Auffangbehälter regelmäßig. Falls das Problem weiter besteht, kann es

notwendig sein, das Strahlmittel öfter zu wechseln oder einen gekühlten Lufttrockner zu installieren.

**6.5.4** Absorption: Einige Strahlmittel absorbieren Feuchtigkeit aus der Luft, insbesondere feinkörnige Strahlmittel bei hoher Luftfeuchtigkeit. Fülle Sie das Strahlmittel aus der Kabine in einen luftdichten Behälter um, wenn die Strahlkabine nicht verwendet wird.

## **6.6 Weder Strahlmittel noch Luft tritt aus der Düse aus, wenn der Fußschalter betätigt wird**

**6.6.1** Die Türschalter schalten nicht ein. Überprüfen Sie die Einstellung wie in Abschnitt 4.3.6.

**6.6.2** Blockierte oder undichte Leitungen. Überprüfen Sie alle Verbinder und Gummischläuche auf Verstopfung oder Lecks.

**6.6.3** Das 3-Wegeventil des Fußschalters ist defekt oder löst nicht aus. Überprüfen Sie den Anschluss des Pedals und die Zu- und Ableitung auf Druck.

**6.6.4** Stellen Sie sicher, dass die Leitungen am Fußschalter und am Strahlregler nicht vertauscht sind.

**6.6.5** Stellen Sie sicher, dass der Luftdruck am Druckregler nicht zu niedrig eingestellt ist. Der Mindestdruck beträgt 3 bar.

**6.6.6** Stellen Sie sicher, dass der Kompressor an ist und die Strahlkabine mit Druckluft versorgt wird.

**6.6.7** Die Düse ist verstopft. Siehe Abschnitt 6.4.

## **6.7 Der Strahlvorgang hört nicht auf bei Loslassen des Fußpedals**

**6.7.1** Stellen Sie sicher, dass beim Loslassen Luft aus dem 3-Wegeventil des Fußschalters austritt. Falls das nicht der Fall ist, überprüfen Sie, ob die Leitungen verstopft sind oder der Schalter defekt.

## **6.8 Verstopfter Strahlmittelschlauch**

**6.8.1** Blockierung durch Strahlmittel. Entsteht normalerweise, wenn das Gemisch zu schwer eingestellt ist. Stellen Sie das Luft/Strahlmittelverhältnis ein wie in Abschnitt 4.3.3 angegeben.

**6.8.2** Nasses oder feuchtes Strahlmittel. Siehe Abschnitt 3.5.

## 6.9 Strahlmittelstoß

**6.9.1** Schwerer Strahlmittelfluss. Justieren Sie wie in Abschnitt 6.3.

## 6.10 Schlechte Saugwirkung im Strahlmittelschlauch

**6.10.1** Nicht ausreichende Luftversorgung. Überprüfen Sie Tabelle 3.1.

**6.10.2** Der Luftstrom muss angepasst werden. Überprüfen Sie die Einstellung wie in Abschnitt 4.3.2.

**6.10.3** Düse abgenutzt. Ersetzen Sie sie bei Abnutzung von 2mm oder mehr.

**6.10.4** Düse oder Strahlmittelschlauch sind verstopft. Siehe Abschnitt 4.3.

**6.10.5** Falsches Größenverhältnis von Luftdüse und Strahldüse. Siehe Tabelle 3.1.

**6.10.6** Die Hülle der Luftdüse ragt über die Spitze der Luftdüse hinaus. Schneiden Sie die Hülle auf die gleiche Länge zurück.

## 6.11 Luftrückstoß im Strahlmittelschlauch

**6.11.1** Verstopfte Düse. Nehmen Sie die Düse ab und überprüfen sie.

**6.11.2** Der Luftstrom könnte zu stark für die Düse sein. Siehe Tabelle 3.1.

## 6.12 Statische Stromschläge

**6.12.1** Die Kabine und/oder der Bediener sind nicht geerdet. Beim Strahlvorgang entsteht statische Elektrizität. Die Strahlkabine muss geerdet sein, um eine statische Aufladung zu vermeiden. Siehe Abschnitt 4.1.

Falls weiterhin Schläge auftreten, könnte es sein, dass sich der Bediener statisch auflädt. Bringen Sie ein kleines Erdungskabel (z.B. mit Armband) zwischen Bediener und Kabine an.

**6.12.2** Vermeiden Sie, Werkstücke vom Gitter hochzunehmen. Statische Elektrizität baut sich im Werkstück auf, wenn sie nicht durch die Metallkabine abgeleitet wird.

## 6.13 Staub tritt aus dem Staubabscheider aus

**6.13.1** Beschädigte oder lockere Filterpatrone. Überprüfen Sie die Filterpatrone.

**6.13.2** Fehlerhafte Dichtung an der Staubabscheidertür. Überprüfen Sie die Dichtung und ersetzen Sie sie, falls sie beschädigt ist.

# 7. Ersatzteile

## 7.1. GX Pistole und Anschlüsse.

**Abb. 11.** Handstrahlpistole GX,  
Montagezeichnung

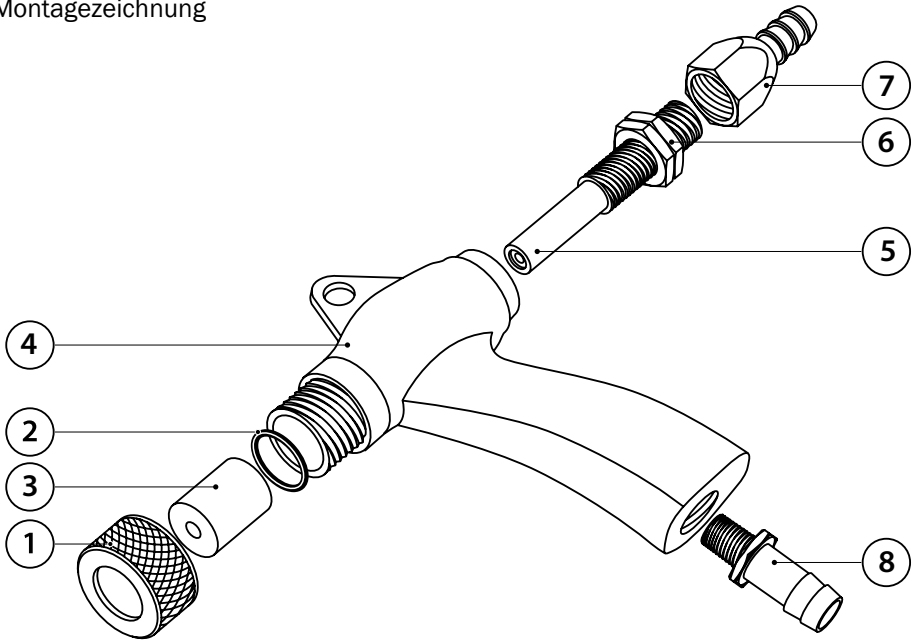
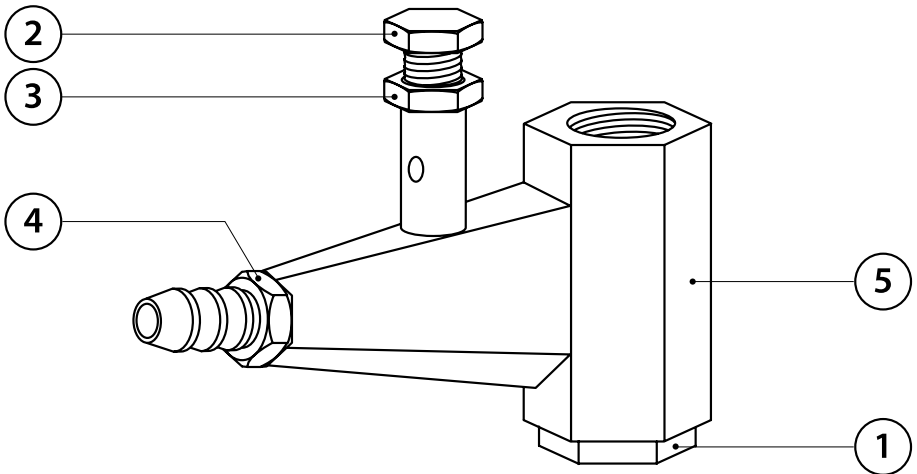


Abb. Nr.	Artikelnr.	Beschreibung	Betrag
	15300	Handstrahlpistole, ohne Düse	
1	15313	Überwurfmutter	1
2	15312	Gummi O-Ring	1
3	15508	Strahldüse Wolframkarbid, Ø 8 mm (Standard)	1
4	15304	Pistolengehäuse	1
5	15307	Luftdüse (Injektor) Ø 4,0 mm (Standard)	1
6	15309	Feststellmutter	1
7	15310	Schlauchfitting mit Überwurfmutter, Luftschauch	1
8	15311	Schlauchfitting, Strahlmittelschlauch	1



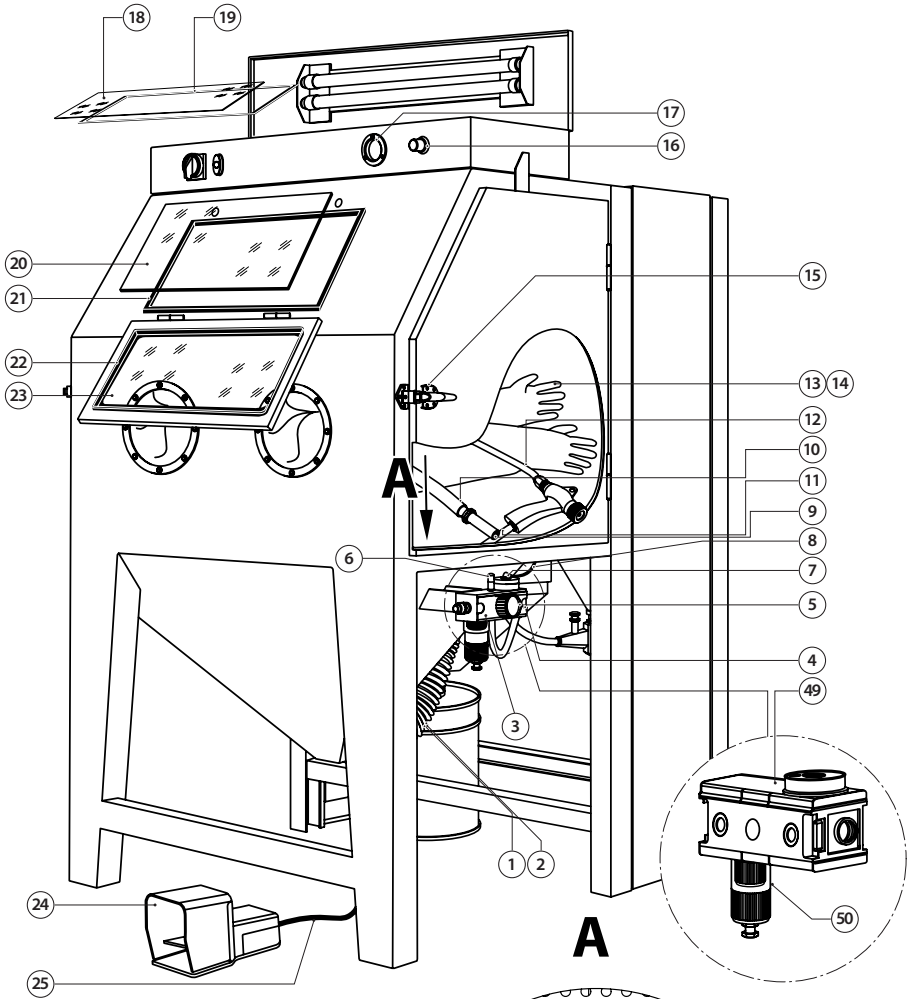
## 7.2. Dosierventil.



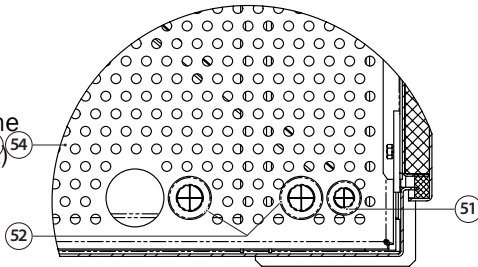
**Abb. 12.** Strahlmitteldosierventil

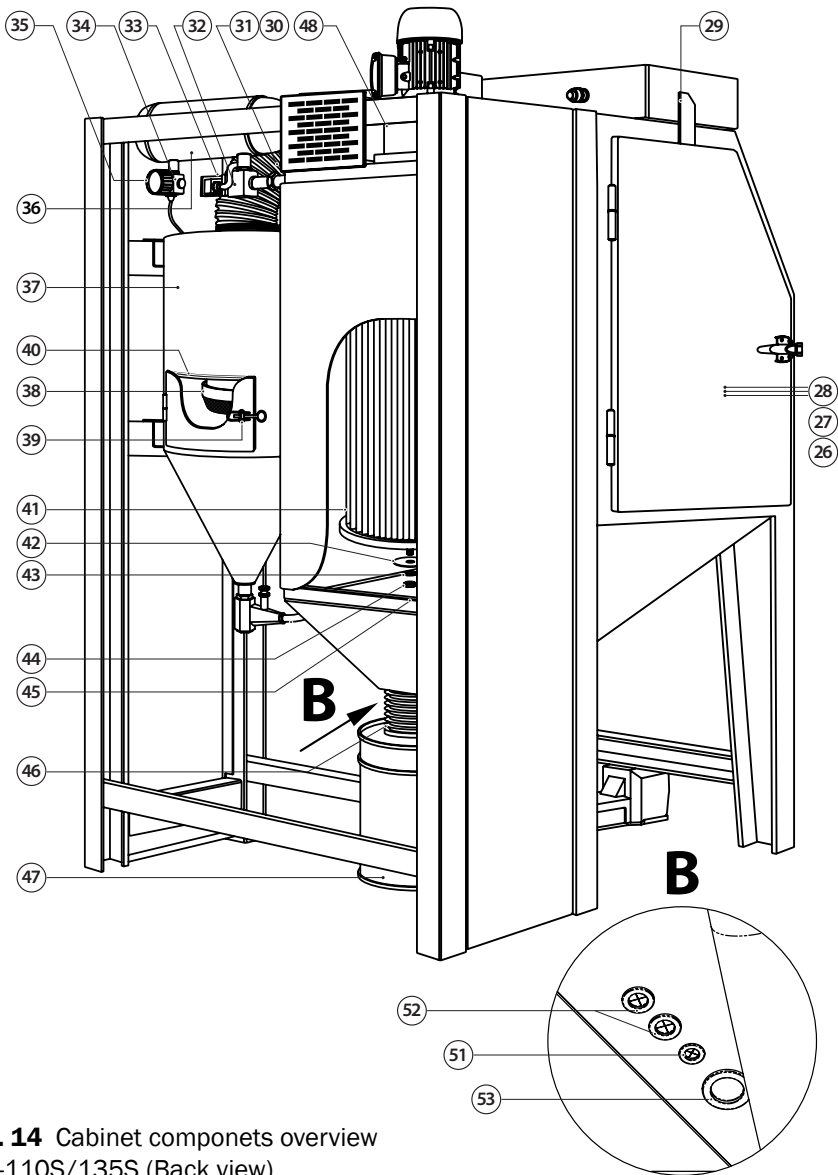
Abb. Nr.	Artikelnr.	Beschreibung	Betrag
	15920	Strahlmitteldosierventil	
1	15921	Ablassschraube	1
2	15922	Einstellschraube	1
3	15923	Feststellmutter	1
4	15924	Schlauchfitting, Strahlmittelschlauch	1
5	15925	Ventilgehäuse	1

### 7.3. Kabine.



**Abb. 13.** Übersicht Strahlkabine CAB-110S/135S (Frontansicht)

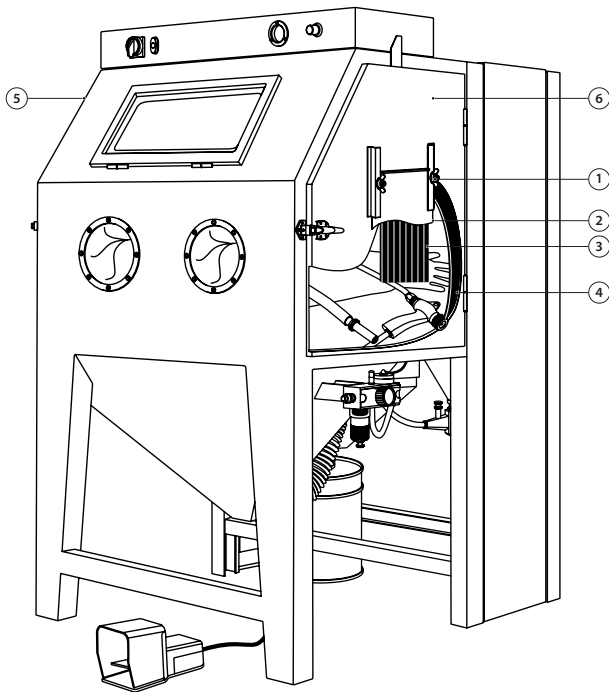




**Abb. 14** Cabinet componets overview  
 CAB-110S/135S (Back view)

Abb. Nr.	Artikelnr.	Beschreibung	Betrag
1	15980	Saugschlauch Ø 100, 1m	2 m
2	16045	XSchlauchselle für Schlauch Ø 100	1
3	15904	Luftfilter 1/2", manueller Kondensatablass	1
4	15905	Druckregler 1/2", Ferngesteuert	1
5	24407	Manometer 1/4" (Gummi-Schutzkappe)	1
6	16011	Druckluftverschraubung 1/4" x 6mm, 2xFach	1
7	16025	Druckluftverschraubung 1/4" x 6mm, Winkel	1
8	15990	Pneumatikschlauch 6x4 mm, 1m	1
9	15901	Abblasdüse, Gummi	1
10	15960	Gummischlauch für Abblasdüse (BAH), 1m	3 m
11	15955	Strahlmittelschlauch, transparent, 1m	3 m
12	15975	Luftschlauch, braun, 1m	3 m
13	15605	RGS 800 mm Strahlhandschuhe, Paar	1
14	16047	Schlauchselle für Strahlhandschuhe	1
15	16069	Türverschuß, komplett	1
16	15932	Druckregler, 1/4"	1
17	15934	Einbau-Manometer 1/8"	1
18	16078	Lichtglas, 646 x 186 mm	1
19	16064	Gummiprofil, Sicherheitsglass / Lichtglas, 1m	3 m
20	16077	Prallscheibe für CAB-Serie, 500 x 320 mm	1
21	16049	Dichtung 3x15, Prallscheibe/Elektroschrank, 1m	2 m
22	16064	Gummiprofil, Sicherheitsglass / Lichtglas, 1m	2 m
23	16076	Sicherheitsglass für CAB-Serie, 476 x 296 mm	1
24	15931	Pneumatischer Fußventil	1
25	16026	Druckluftverschraubung M5 x 6mm	1
26	15812	Tür für Strahlkabine CAB-110S/110P, Links	1
	15813	Tür für Strahlkabine CAB-135S/135P, Links	1
27	15814	Tür für Strahlkabine CAB-110S/110P, Rechts	1
	15815	Tür für Strahlkabine CAB-135S/135P, Rechts	1
28	17540	Dichtung, Kabinentür, 1m	5 m
29	15930	Türsicherungsventil 1/8"	1
30	15985	Ventilationsschlauch Ø 150, 1m	1 m
31	16046	Schlauchselle für Schlauch Ø 150	1

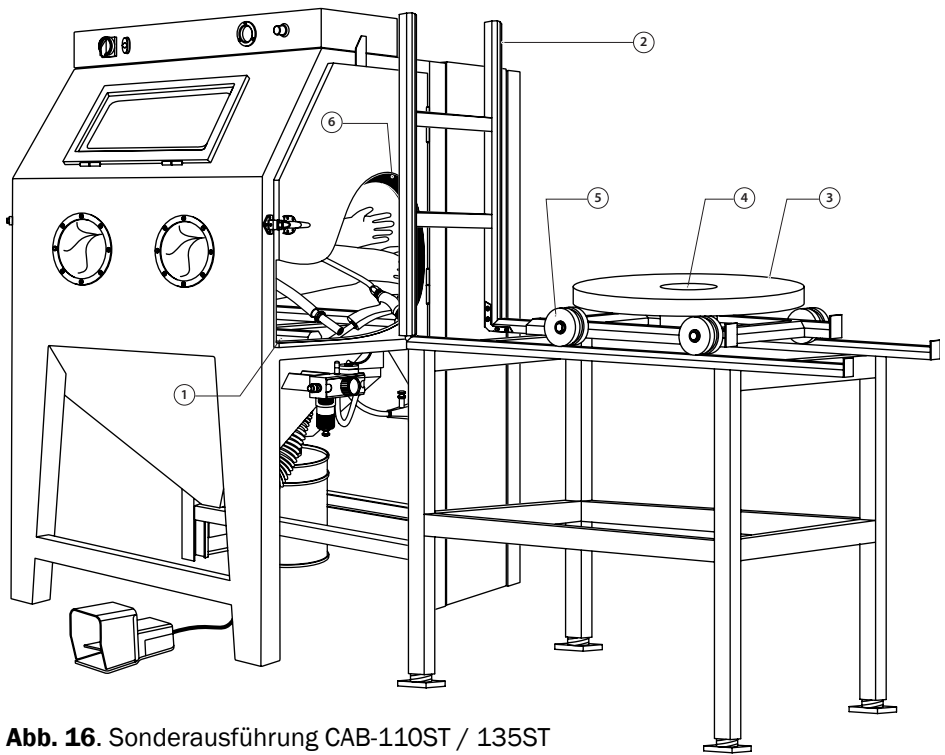
32	15974	Membranventil Impulsabreinigung 3/4"	1
33	16106	Zeitschalter für Patronenreinigung	1
34	15932	Druckregler, 1/4"	1
35	30404	Manometer 1/8" (Gummi-Schutzkappe)	1
36	15816	Druckbehälter für Impulsabreinigung	1
37	15817	Zyklon Rückgewinnungssystem R-350, ohne Sieba (für CAB-110S)	1
	15818	Zyklon Rückgewinnungssystem R-350, ohne Sieba (für CAB-135S)	1
38	15819	Sieb	1
39	16037	Patronenstaubfilter Verschluss, komplett	1
40	17541	Dichtung, Zyklon-Tür, 1m	2 m
41	15971	Patronenfilter 10 m <sup>2</sup> für CAB/DC ab Baureihe 550	1
	15969	Patronenfilter 15 m <sup>2</sup> für CAB/DC ab Baureihe 550	1
42	16217	Unterlegscheibe M8, gross	1
43	16200	Unterlegscheibe M8	1
44	16207	Flügelmutter M8	1
45	16053	Dichtung 5x20, Filtereinheit, 1m	4 m
46	15985	Ventilationsschlauch Ø 150, 1m	1 m
47	16079	Staubbehälter, 20 Liter	1
48	17547	Lüfterrad für DC-1100 (CAB-110S / CAB-110P)	1
	17548	Lüfterrad für DC-1500 (CAB-110S / CAB-110P)	1
49	15926	Pneumatische Steuereinheit 1/2"	1
50	15928	Kondensatbehälter, Kunststoff	1
51	16390	Rubber gland, Air blow-off nozzle, for all ECO/CAB	2
52	16391	Gummidurchführung, Strahlmittelschlauch/Luftschlauch	4
53	16397	Gummistopfen	1
54	15840	Lochblech (links) für CAB 110	1
	15842	Lochblech (links) für CAB 135	1
55	15841	Lochblech (rechts) für CAB 110	1
	15843	Lochblech (rechts) für CAB 135	1



**Abb. 15.** Sonderausführung CAB-110SD / 135SD

DEUTSCH

Abb. Nr.	Artikelnr.	Beschreibung	Betrag
1	17549	Griff	2
2	17550	Schieber	1
3	17551	Gummivorhang	1
4	15810	Wandverkleidung-Satz, Gummi, schwarz, für CAB-110	1
	15811	Wandverkleidung-Satz, Gummi, schwarz, für CAB-135	1
5	15835	Pass-Through Tür für Strahlkabine CAB-110S/110P, Links	1
	15837	Pass-Through Tür für Strahlkabine CAB-135S/135P, Links	1
6	15836	Pass-Through Tür für Strahlkabine CAB-110S/110P, Rechts	1
	15838	Pass-Through Tür für Strahlkabine CAB-135S/135P, Rechts	1



**Abb. 16.** Sonderausführung CAB-110ST / 135ST

Abb. Nr.	Artikelnr.	Beschreibung	Betrag
1	15705	Schienen-System innen, für CAB-110	1
	15706	Schienen-System innen, für CAB-135	1
2	15703	Schienen-System außen, für Drehtische mit Ø 500 mm	1
	15704	Schienen-System außen, für Drehtische mit Ø 800 mm	1
3	15707	Drehtisch Ø 500mm, mit Wagen	1
	15708	Drehtisch Ø 800mm, mit Wagen	1
4	15714	Gehäuse-Lager, universell für Drehtische Ø 500 mm / Ø 800 mm	1
5	15712	Spurkranz-Rad, universell für Drehtische Ø 500 mm / Ø 800 mm	1
6	15810	Wandverkleidung-Satz, Gummi, schwarz, für CAB-110	1
	15811	Wandverkleidung-Satz, Gummi, schwarz, für CAB-135	1

## 7.4. Beleuchtungseinheit.

**Abb. 17.** Austausch von  
Leuchtstoffröhren

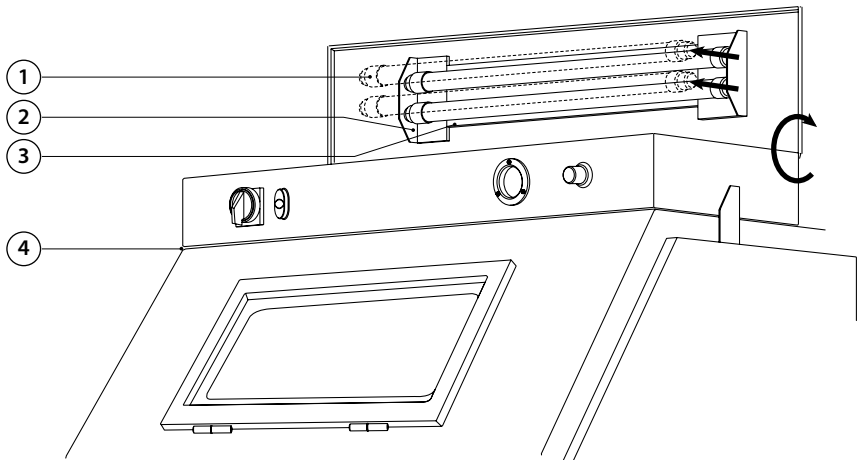
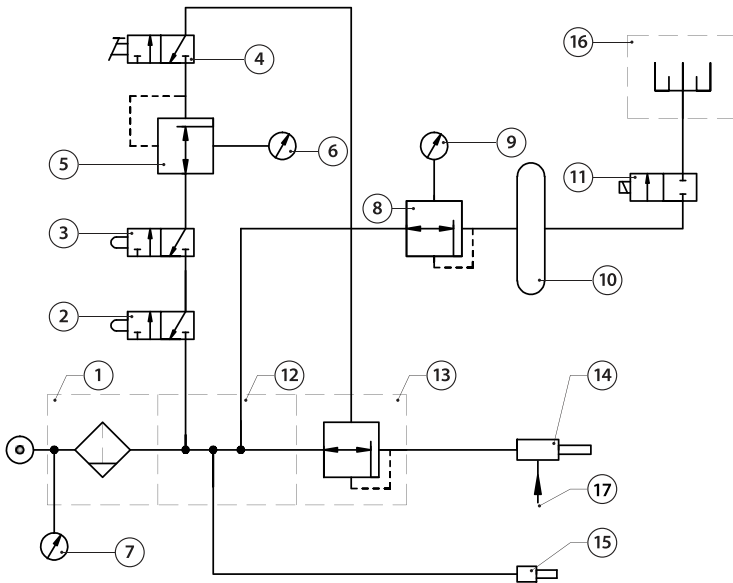


Abb. Nr.	Artikelnr.	Beschreibung	Betrag
1	16122	Leuchtstoffrohr, 30 W	2
2	16121	Beleuchtungseinheit 2x30 Watt	1
3	16123	Lampen Reflektor	1
4	16049	Dichtung 3x15, Prallscheibe/Elektroschrank, 1m	4 m



## 7.5. Pneumatisches Schema.



**Abb. 18.** Pneumatischer Schaltplan CAB-110S/ 135S

Abb. Nr.	Artikelnr.	Beschreibung
1	15904	Luftfilter 1/2", manueller Kondensatablass
2	15930	Türsicherungsventil 1/8"
3	15930	Türsicherungsventil 1/8"
4	15931	Pneumatischer Fußventil
5	15932	Druckregler, 1/4"
6	15934	Einbau-Manometer 1/8"
7	30404	Manometer 1/8" (Gummi-Schutzkappe)
8	15932	Druckregler, 1/4"
9	24407	Manometer 1/8" (Gummi-Schutzkappe)
10	15816	Druckbehälter für Impulsabreinigung
11	15974	Membranventil Impulsabreinigung 3/4"
12	16011	Druckluftverschraubung 1/4" x 6mm, 2xFach
13	15905	Druckregler 1/2", Ferngesteuert
14	15300	GX Handstrahlpistole, ohne Düse

15	15901	Abblasdüse, Gummi
16	15971	Patronenfilter 10 m <sup>2</sup> für CAB/DC ab Baureihe 550
	15969	Patronenfilter 15 m <sup>2</sup> für CAB/DC ab Baureihe 550
17		Strahlmittelzufuhr

## 7.6. Elektrischer Schaltplan

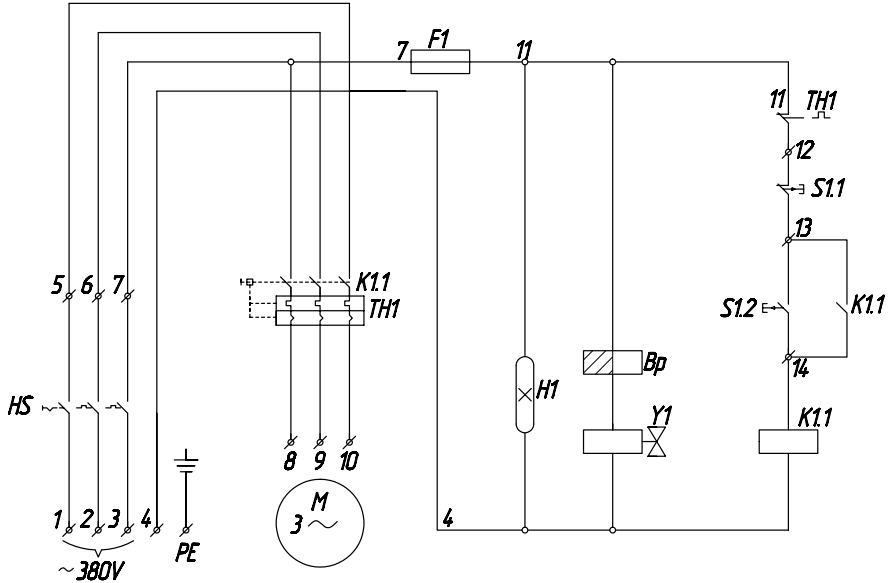


Abb. 19. Elektrischer Schaltplan CAB-110S/ 135S

Abb. Nr.	Artikelnr.	Beschreibung
S1	16099	Doppeldrucktaster EIN / AUS
HS	16100	Nockenschalter 0-I
M	16134	Elektromotor 1,10 kW (für CAB-110S)
	16135	Elektromotor 1,50 kW (für CAB-135S)
K1.1	16104	Schütze 3-polig
H1	16121	Beleuchtungseinheit 2x30 Watt
Bp	16106	Zeitschalter für Patronenreinigung
Y1	15974	Membranventil Impulsabreinigung 3/4", 220 V~
TH1	16105	Thermische Motorschutzrelai
F1	16133	Sicherung

# Содержание

1. Техника безопасности	76
2. Комплектация и описание кабины	77
3. Общие сведения	81
4. Наладка, эксплуатация и остановка	84
5. Техническое обслуживание	93
6. Поиск и устранение неисправностей	98
7. Запасные части	104



## **ВНИМАНИЕ!**

**ПЕРЕД НАЧАЛОМ РАБОТЫ НЕОБХОДИМО ПРОЧИТАТЬ И ПОЛНОСТЬЮ ПОНЯТЬ ДАННОЕ РУКОВОДСТВО.**

**ПРИВЕДЕННАЯ НИЖЕ ИНФОРМАЦИЯ ВАЖНА ДЛЯ БЕЗОПАСНОСТИ ЗДОРОВЬЯ ОПЕРАТОРА И ПЕРСОНАЛА, НАХОДЯЩЕГОСЯ В НЕПОСРЕДСТВЕННОЙ БЛИЗОСТИ.**



## **ВНИМАНИЕ!**

**ПРИ ПОКУПКЕ КАБИНЫ ТРЕБУЙТЕ ПРАВИЛЬНОГО ЗАПОЛНЕНИЯ ГАРАНТИЙНОГО ТАЛОНА!**

**БЕЗ ПРЕДЪЯВЛЕНИЯ ЗАПОЛНЕННОГО БЛАНКА ГАРАНТИЙНОГО ТАЛОНА ГАРАНТИЯ НЕДЕЙСТВИТЕЛЬНА.**

# 1. Техника безопасности

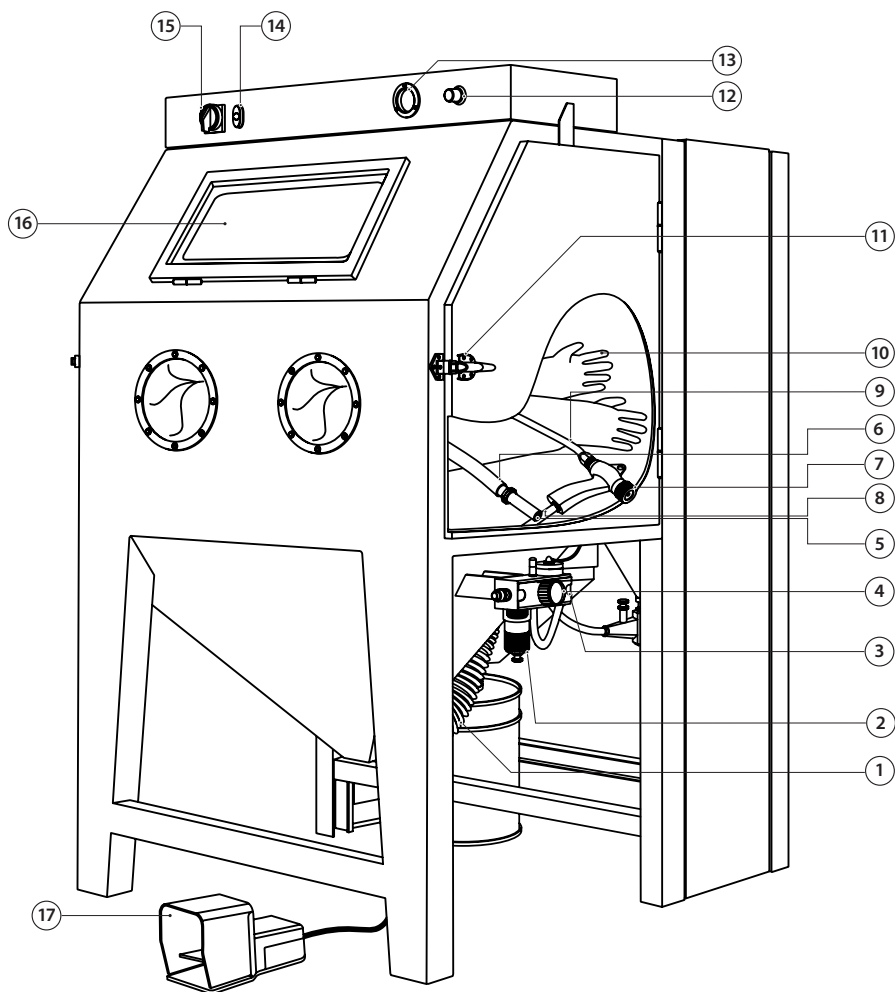


## ВНИМАНИЕ!

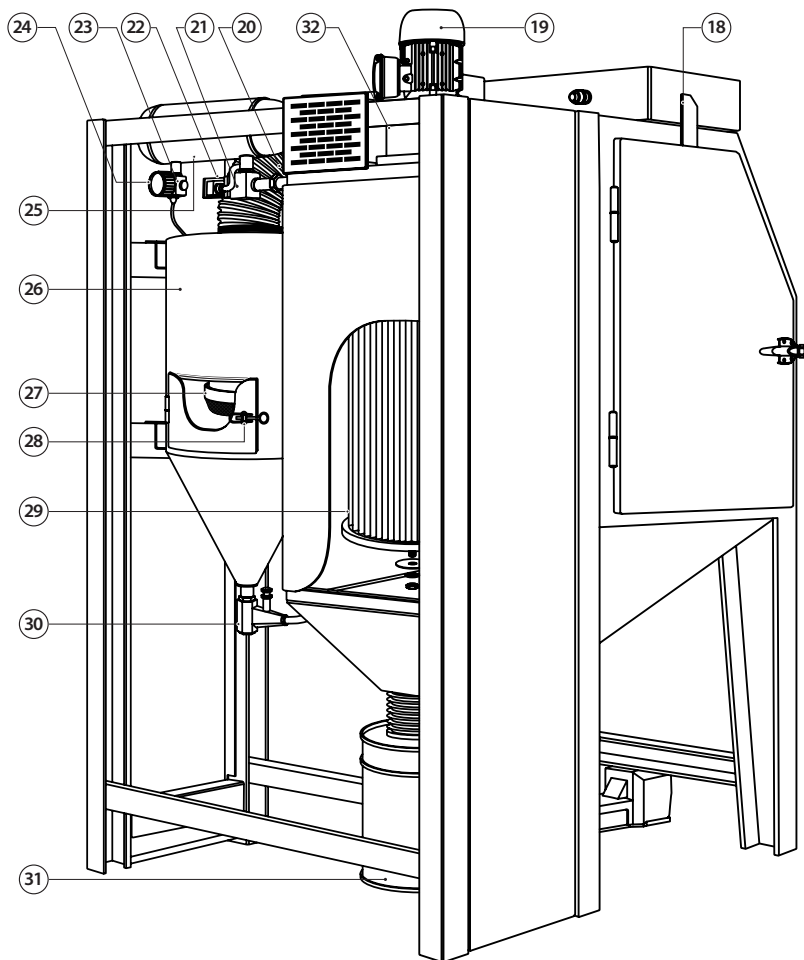
### МЕРЫ БЕЗОПАСНОСТИ ПРИ ЭКСПЛУАТАЦИИ АБРАЗИВОСТРУЙНЫХ КАБИН.

1. При абразивоструйной обработке необходимо надевать защитные перчатки.
2. Недопустимо использовать при эксплуатации изношенное и неисправное оборудование/средства защиты.
3. Необходимо направлять сопло только на очищаемую поверхность. Недопустимо направлять сопло на окна кабины.
4. Необходимо использовать только сухие, хорошо просеянные абразивы, пригодные для операций абразивоструйной обработки.
5. Перед началом работы абразивоструйной кабины необходимо:
  - Убедиться, что перчатки, прокладки, шланги и фитинги не изношены;
  - При использовании соединительных муфт шлангов закрепить их страховочными тросиками;
  - Убедиться, что кабина заземлена;
6. Во время абразивоструйной обработки все двери кабины, регенератор и пылесборник должны быть закрыты.
7. После абразивоструйной обработки перед открыванием дверей и отключением вытяжного вентилятора с помощью воздушного сопла сдуть абразив с очищенных деталей.
8. Запрещается открывать двери или отключать вытяжной вентилятор до удаления из кабины абразивной пыли.

## 2. Комплектация и описание кабины



**Рис. 1.** Общий вид кабины CAB-110S/135S спереди



**Рис. 2.** Общий вид кабины CAB-110S/135S сзади

№ поз.	Описание
1	Рукав всасывающий Ø 100
2	Фильтр основной линии
3	Клапан редукционный

4	Манометр
5	Обдувочное сопло, резина
6	Рукав резиновый на обдувочное сопло
7	GX Пистолет абразивоструйный
8	Рукав абразива, прозрачный
9	Рукав резиновый воздушный
10	RGS Перчатки
11	Ручка дверцы кабины
12	Регулятор рабочего давления
13	Манометр панельный
14	Двойная кнопка ВКЛ. / ВЫКЛ.
15	Входной рубильник 0-I
16	Окно кабины (сборка)
17	Педаля пневматическая
18	Пневматический концевой выключатель
19	Электродвигатель
20	Рукав вентиляционный Ø 150
21	Импульсный пневмоклапан
22	Таймер управления имп. пневмоклапаном
23	Регулятор давления линии очистки выходного воздушного фильтра
24	Манометр
25	Ресивер импульсной очистки фильтра
26	Циклонный сепаратор R-350 / R-400
27	Сито
28	Защелка дверь циклона
29	Фильтр патронный
30	Дозатор абразива
31	Сборник пыли
32	Лопатка вентилятора DC-1100/DC-1500

## 2.1 Комплект поставки

Табл. 2.1

Код заказа	Модель	Описание, упаковка
15105	САВ-110S	<p>АБРАЗИВОСТРУЙНАЯ КАБИНА, В ЦЕЛОМ, ВКЛЮЧАЕТ:</p> <ul style="list-style-type: none"> <li>- Корпус кабины</li> <li>- Циклонный сепаратор R-350</li> <li>- Фильтр-камера DC-1100 с фильтр-патроном 10 м<sup>2</sup></li> </ul> <p>СТАНДАРТНАЯ ПОСТАВКА:</p> <ul style="list-style-type: none"> <li>- RGS Перчатки 800 мм для пескоструйной обработки с внутренней подкладкой из ткани</li> <li>- Ручной абразивоструйный пистолет GX</li> <li>- Сопло GXT-8,0 из карбида вольфрама Ø 8 мм</li> <li>- Дозатор абразива</li> <li>- Фильтр основной линии с тонкостью фильтрации 5 мкм</li> <li>- Регулятор рабочего давления</li> <li>- Пневматические концевые выключатели</li> <li>- Электрическое подключение 1,10 кВт, 380 В, 3 фазы, 50 Гц</li> </ul> <p>Габаритный размер (Ш x Г x В) 1340 x 1220 x 1990 мм          Размер рабочей камеры (Ш x Г x В) 1100 x 800 x 840 мм          Размер окна (защитное стекло) 476 x 296 мм</p>
15106	САВ-135S	<p>АБРАЗИВОСТРУЙНАЯ КАБИНА, В ЦЕЛОМ, ВКЛЮЧАЕТ:</p> <ul style="list-style-type: none"> <li>- Корпус кабины</li> <li>- Циклонный сепаратор R-400</li> <li>- Фильтр-камера DC-1500 с фильтр-патроном 15 м<sup>2</sup></li> </ul> <p>СТАНДАРТНАЯ ПОСТАВКА:</p> <ul style="list-style-type: none"> <li>- RGS Перчатки 800 мм для пескоструйной обработки с внутренней подкладкой из ткани</li> <li>- Ручной абразивоструйный пистолет GX</li> <li>- Сопло GXT-8,0 из карбида вольфрама Ø 8 мм</li> <li>- Дозатор абразива</li> <li>- Фильтр основной линии с тонкостью фильтрации 5 мкм</li> <li>- Регулятор рабочего давления</li> <li>- Пневматические концевые выключатели</li> <li>- Электрическое подключение 1,50 кВт, 380 В, 3 фазы, 50 Гц</li> </ul> <p>Габаритный размер (Ш x Г x В) 1470 x 1700 x 2140 мм          Размер рабочей камеры (Ш x Г x В) 1350 x 1100 x 1070 мм          Размер окна (защитное стекло) 476 x 296 мм</p>



## 3. Общие сведения

### 3.1. Общие сведения.

Абразивоструйная кабина Контракор обеспечивает условия для эффективной абразивоструйной обработки при поддержании чистоты окружающей рабочей зоны.

Производительность абразивоструйных кабин зависит от размера сопла, мощности компрессора, рабочего давления, типа и размера абразива и расстояния от сопла до очищаемой поверхности. Абразивоструйные кабины эжекторного типа включают три модуля:

1. Прочный корпус кабины, сваренный из стали.
2. Циклонный сепаратор, обеспечивающий максимальную эффективность регулируемой регенерации абразива.
3. Фильтр-камеру с высокоэффективным вентилятором, со сменным фильтропатроном и импульсной очисткой.

### 3.2. Принцип действия.

При включенной подаче воздуха и закрытых дверях абразивоструйной кабины процесс очистки может быть запущен нажатием педали. При полном нажатии педали производится подача воздуха через абразивоструйный пистолет GX. Воздух, проходящий через пистолет, захватывает абразив в смесительную камеру пескоструйного пистолета. Абразив смешивается с воздухом и выбрасывается из сопла.

После соударения с очищаемой поверхностью абразив, вместе с мелкими частицами с этой поверхности, пылью и другими побочными продуктами, образующимися при абразивоструйной обработке, падают через сито в бункер кабины. Эта смесь далее поступает в сепаратор для отделения.

Пыль и мелкие частицы сначала отделяются от допускающего многократное использование абразива. Затем абразив просеивается, отделяясь от излишне крупных частиц и поступает в бункер сепаратора для повторного использования.

Одновременно пыль и мелкие частицы прогоняются через сухой фильтр фильтр-камеры, улавливающей пыль и выпускающей очищенный воздух в атмосферу.

При отпускании педали процесс обработки прекращается.

Фильтр-патрон фильтр-камеры очищается импульсами сжатого воздуха, поступающего с большой скоростью и расширяющегося на внутренней поверхности картриджа. Электронный таймер контролирует временные интервалы между импульсами. Расширяющийся воздух на короткое время меняет направление воздуха через фильтр-патрон для стряхивания пыли, накопленной на внешней поверхности.

Частицы пыли отделяются от фильтр-патрон и падают в пылесборник для последующей утилизации.

### 3.3. Диаметр форсунок и сопел, необходимый объем сжатого воздуха.

Для точного определения максимальной производительности имеется широкий ассортимент форсунок и сопел различного размера.

Мощность компрессора, необходимого для работы кабины, зависит от размера форсунки и рабочего давления. См. табл. 3.1 Требования к сжатому воздуху.

В стандартной комплектации кабины поставляются с форсункой Ø 8 мм в абразивоструйном пистолете GX.

**Табл. 3.1** Требуемый объем сжатого воздуха

Ø форсунки (мм)	Ø абразиво- струйного сопла (мм)	ТРЕБУЕМЫЙ ОБЪЕМ ВОЗДУХА (м <sup>3</sup> /мин.) при рабочем давлении, бар								
		2	3	4	5	6	7	8	10	12
3,2	6,0	0,245	0,326	0,406	0,487	0,568	0,649	0,730	0,891	1,050
4,0	8,0	0,436	0,579	0,723	0,865	1,010	1,150	1,300	1,585	1,870
5,0	10,0	0,681	0,905	1,130	1,350	1,580	1,800	2,030	2,480	2,930

## 3.4. Абразив.

В кабинах компании Контракор используются наиболее распространенные абразивы, 1,50 мм и грубее, специально выпускаемые для сухой абразивоструйной обработки.

Используемый размер абразива (меш) и размер сопла должны обеспечивать равномерное истечение абразива. При низком рабочем давлении воздуха необходимо использовать мелкий абразив и сопло маленького диаметра.

**Стальной абразив:** Стальная крошка или дробь могут быть использованы в кабинах CAB-110S и CAB-135S фракцией не более 0,7 мм. Для защиты стенок кабины от быстрого износа должен применяться комплект для облицовки резиновый защитный Арт. 15810/18811.

**Песок и шлак:** Недопустимо использовать песок, так как он образует крайне легкий диоксид кремния и поэтому опасен для органов дыхания.



### ВНИМАНИЕ!

**Абразивная обработка песком, содержащим кварц, может вызвать серьезные или фатальные респираторные заболевания.**

Применять шлак не рекомендуется, так как он быстро разрушается.

**Оксид алюминия, двуокись кремния и гранит:** Подобные агрессивные материалы могут применяться, но следует учитывать ускоренный износ всех деталей кабины, регенератора, сопла и шлангов, находящихся в контакте с таким материалом.

В случае применения агрессивного абразива необходимо использовать сопло из карбида вольфрама. Срок службы сопла из карбида вольфрама в 10 - 20 раз больше, чем керамического сопла.

**Стеклопудра:** Дробь обычно обработана для обеспечения беспрепятственной эксплуатации даже при сравнительно высокой влажности. Стеклопудра, подвергшаяся действию избытка влаги, может быть многократно использована после тщательной сушки и полного разрушения образовавшихся комков.

## 3.5. Качество сжатого воздуха.

Воздушный фильтр и на входе воздуха удаляет сконденсированную влагу из сжатого воздуха. Его применение особенно важно в зонах высокой влажности или при использовании мелкого абразива. Влага вызывает образование комков абразива и препятствует свободному истечению через дозатор. При появлении проблемы наличия влаги может потребоваться устройство осушения воздуха.

# 4. Наладка, эксплуатация и остановка

## 4.1. Установка и наладка.

### 4.1.1 Место установки

Следует выбрать место установки, в котором имеется сжатый воздух, вода и электропитание. Следует обеспечить свободный доступ ко всем дверям и зонам обслуживания, а также удобство работы с крупными деталями.

### 4.1.2 Линия подачи сжатого воздуха

Подсоединить входной патрубок кабины к магистрали сжатого воздуха рукавом с минимальным внутренним диаметром I.D. = 1/2". Для подсоединения следует использовать гибкий шланг с тем же минимальным внутренним диаметром, что и воздушная магистраль. Применение воздушной магистрали или шланга меньшего диаметра может снизить эффективность очистки.



## ВНИМАНИЕ!

**Необходимо убедиться, что вся трубопроводная арматура и крепеж шлангов плотно закреплены перед использованием пескоструйной кабины. Отсоединение шланга под давлением может привести к серьезным травмам.**

### 4.1.3 Заземление

Следует заземлить кабину для предотвращения накопления статического электричества. Для заземления необходимо присоединить заземляющий провод к контакту для присоединения заземления слева сзади на нижней части кабины.

#### 4.1.4 Подключение электропитания



### **ВНИМАНИЕ!**

**Все работы с электричеством должны выполняться квалифицированным электриком в соответствии с государственными и местными стандартами.**

Схема соединений входит в комплект поставки кабины. После подключения необходимо проверить направление вращения двигателя, кратковременно включив и выключив выключатель.

Вентилятор двигателя должен вращаться по часовой стрелке, если смотреть на двигатель со стороны крыльчатки принудительного охлаждения.



### **ВНИМАНИЕ!**

**Запрещается смотреть в выходное отверстие вытяжного вентилятора регенератора при вращении вытяжного вентилятора. Частицы, вылетающие из вытяжного вентилятора, могут вызвать травму глаз и лица.**

#### 4.1.5 Статическое разряжение кабины

Необходимо установить статическое разряжение кабины с учетом размеров кабины и регенератора. Для снижения статического разряжения следует дополнительно открыть впускную заслонку, а для увеличения – закрыть.

Перчатки можно использовать как индикатор необходимого статического разряжения кабины. При включенном вытяжном вентиляторе перчатки должны быть надуты, но не подняты над решеткой.

#### 4.1.6 Педаль

Установить педаль на полу перед кабиной для обеспечения удобного доступа. Аэрозольная кабина предназначена для использования одним оператором. Следует убедиться, что в случае чрезвычайной ситуации можно быстро убрать ногу с педали.

## 4.2. Операция абразивно-струйной обработки.

### 4.2.1 Загрузка абразива

При выключенном вытяжном вентиляторе добавить чистый сухой абразив, насыпая его через дверцу регенератора в его бункер. Не допускается наполнять бункер выше конуса регенератора.

**Запрещается насыпать материал непосредственно в бункер кабины, так как может произойти его переполнение.** Переполнение приводит к выбросу материала в пылесборник и может вызвать закупоривание подающего рукава.

Засыпку следует выполнять только после того, как весь материал из кабины регенерирован.

Табл. 4.1 Минимальное количество абразива для засыпки в систему

CAB-110P	CAB-135P
20 kg	40 kg

### 4.2.2 Выгрузка абразива



## ВНИМАНИЕ!

**Перед очисткой необходимо закрыть двери кабины, регенератора и пылесборника. Во время обработки все двери должны быть закрыты.**

**Необходимо постоянно использовать перчатки для абразивоструйной обработки.**

**Не следует направлять абразивоструйное сопло на смотровое окно.**

**Перед открыванием дверей с помощью обдувочного сопла следует сдуть абразив с очищаемых деталей.**

**После абразивоструйной обработки двери следует держать закрытыми, а вытяжной вентилятор включенным до тех пор, пока кабина полностью не очистится от пыли, находящейся в воздухе.**

**При обнаружении утечек пыли необходимо немедленно прекратить очистку.**

Для удаления отработанного абразива из кабины отключить вытяжной вентилятор и поместить пустую тару под дозатор. Отвинтить нижнюю пробку дозатора, абразив высыплется в тару. Если материал не высыпается, он слежался. В этом случае следует открыть дверцу для засыпки и перемешивать материал, пока он не начнет сыпаться.

#### 4.2.3. Загрузка и выгрузка деталей

Детали могут загружаться и выгружаться через любую дверь.

Очищаемые детали должны быть очищены от масла, воды, жира или других загрязняющих веществ, которые будут загрязнять абразив или фильтры.

При закрывании дверей необходимо убедиться, что дверь надежно герметизирована, в противном случае система контроля дверей блокирует обработку.

#### 4.2.4. Операция абразивно-струйной обработки

Включить подачу сжатого воздуха в абразивоструйную кабину. На начальном этапе убедиться в отсутствии утечек воздуха.

Установить регулятор импульсного давления на 4,5 бар (расположение указано на рис. 2).



### **ВНИМАНИЕ!**

**Если из пылесборника выходит пыль, необходимо немедленно отключить кабину. Следует убедиться в том, что фильтры правильно установлены, не изношены и не повреждены. Продолжительное вдыхание любой пыли может привести к серьезному легочному заболеванию или летальному исходу. Непродолжительное глотание токсичной пыли, например, свинцовой, создает непосредственную угрозу здоровью. Токсичность и риск для здоровья зависят от пыли, возникающей при абразивоструйной очистке. Необходимо определить все вещества, удаляемые абразивоструйной очисткой и получить сертификат безопасности для абразива.**

Установить переключатель включения/выключения в положение "I" для включения освещения и импульсной очистки фильтра.

Нажать кнопку ON (ВКЛ.) для включения вытяжного вентилятора.

Вставить руки в резиновые перчатки. Плотнo держа абразивоструйный пистолет, нажать на педаль. Начнется процесс очистки.

Отрегулировать давление очистки, используя регулятор, расположенный на панели управления. Индикатор давления на панели управления указывает фактическое значение давления очистки.

Наиболее эффективна обработка плавными непрерывными проходами. Расстояние от детали влияет на ширину полосы, охватываемую струей. Обычно сопло располагают на расстоянии приблизительно 70 - 150 мм от поверхности детали.

При работе абразивоструйной кабины автоматически в соответствии с установками таймера происходит импульсная очистка фильтр-патрона фильтр-камеры. Установки таймера могут потребовать изменений с учетом условий эксплуатации и при длительных периодах очистки.

#### **4.2.5. Приостановка операции струйной обработки и остановка.**

Для прекращения абразивоструйной очистки следует отпустить педаль.

Для удаления абразива с очищенных деталей следует использовать обдувочное сопло. Перед открыванием двери и выгрузкой деталей следует дождаться очистки кабины от пыли, находящейся в воздухе.

Нажать кнопку OFF (ВЫКЛ.) для выключения вытяжного вентилятора.

Установить переключатель включения/выключения в положение "0" для выключения освещения и импульсной очистки фильтра. Отключить подачу сжатого воздуха в абразивоструйную кабину и опорожнить пылесборники.

### **4.3. Регулировка.**

#### **4.3.1 Давление очистки**

Регулятор давления, расположенный на панели управления кабины, позволяет пользователю регулировать давление абразиво-воздушной смеси в зависимости от условий работы.

Давление, подходящее для большинства случаев, составляет 5-6 бар. Более низкое давление может потребоваться для очистки хрупких или мягких, тонкостенных предметов или уменьшения разрушения абразива. Более высокое давление может



потребуется для удаления крепкодержащихся загрязнений, но оно повышает разрушение абразива.

Во всех случаях максимальная производительность достигается только при тщательном контроле давления.

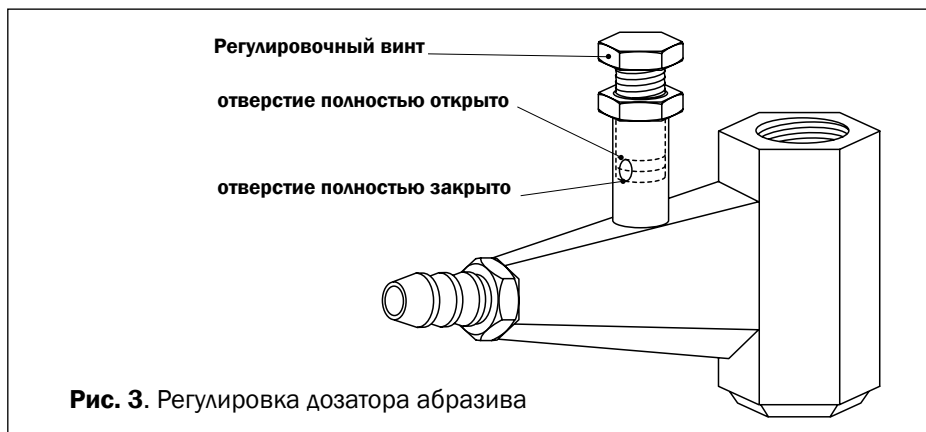
Отрегулировать давление воздуха, поворачивая ручку регулятора, расположенную спереди на панели управления. Вытянуть ручку и повернуть по часовой стрелке для увеличения давления или против часовой стрелки для снижения давления. После задания рабочего давления, вдавить ручку для блокировки.

#### **4.3.2 Установка абразивоструйного сопла**

Абразивоструйное сопло должно быть ввинчено на 4,5 - 5 полных оборотов в заднюю часть корпуса пистолета GX. При этом 3,5 - 4 витка резьбы останутся свободными за зажимной гайкой. Затянуть зажимную гайку для удерживания сопла на месте.

#### **4.3.3 Воздушно-абразивная смесь**

Следует понаблюдать за потоком абразива через прозрачный шланг для него. Абразив должен протекать по шлангу плавно и равномерно. Если воздух при выходе из сопла пульсирует или абразив не истекает плавно, необходимо отрегулировать количество подаваемого абразива при помощи дозатора.



Для регулировки необходимо ослабить контргайку и отрегулировать шнек-дозатор.

Если в шланге абразива происходят пульсации, значит абразив сырой, слежавшийся, или недостаточное количество или давление воздуха. Во время струйной обработки ослабить зажимную гайку и медленно вывинчивать регулировочный винт (против часовой стрелки, если смотреть сверху), пока абразив не начнет течь плавно. Затянуть зажимную гайку для сохранения настройки.

Если поток абразива слишком слабый, необходимо уменьшить содержание воздуха в смеси, вворачивая шнек-дозатор (по часовой стрелке, если смотреть сверху) и закрывая больше отверстие, чтобы в шланг с абразивом поступило меньше воздуха. Затянуть контргайку для сохранения регулировки.

#### **4.3.4 Статическое разряжение регенератора**

Правильный выбор статического разряжения регенератора зависит от размера регенератора, а также от размера, веса и типа абразива. Отрегулировать статическое разряжение регенератора, открывая (ручка в горизонтальном положении) или закрывая (ручка в вертикальном положении) заслонку на входе в рабочую камеру.

Если заслонка открыта недостаточно, регенератор не удаляет мелкие частицы, в результате чего увеличивается количество пыли в абразиве, ухудшается видимость и возрастает вероятность закупорки напорного абразивного рукава. Если заслонка открыта слишком сильно, возможен выброс (пригодный абразив поступает в пылесборник) и, как следствие, избыточное потребление абразива. Следует открывать заслонку так, чтобы обеспечить удаление пыли без выброса абразива.

#### **4.3.5 Статическое разряжение кабины**

После первоначальной регулировки в соответствии с разделом 4.1.5 статическое разряжение кабины редко требует повторной регулировки. Первоначальная регулировка обеспечивает приблизительно 50 - 75% статического разряжения в корпусе кабины. Для регулировки открыть внутреннюю заслонку сильнее, чтобы уменьшить статическое разряжение, или сильнее закрыть, чтобы увеличить разряжения.

Перчатки можно использовать как индикатор необходимого статического разряжения кабины. При включенном вытяжном вентиляторе перчатки должны быть надуты, но не подняты над решеткой.

### 4.3.6 Пневматические концевые выключатели

Пневматические концевые выключатели отключают схему управления абразивоструйной очисткой, если двери открыты. Для выполнения абразивоструйной очистки выключатели должны быть включены закрытыми дверями. Пневматические концевые выключатели настроены на заводе-изготовителе и обычно не требуют регулировки на месте эксплуатации кабины, за исключением случаев замены деталей.

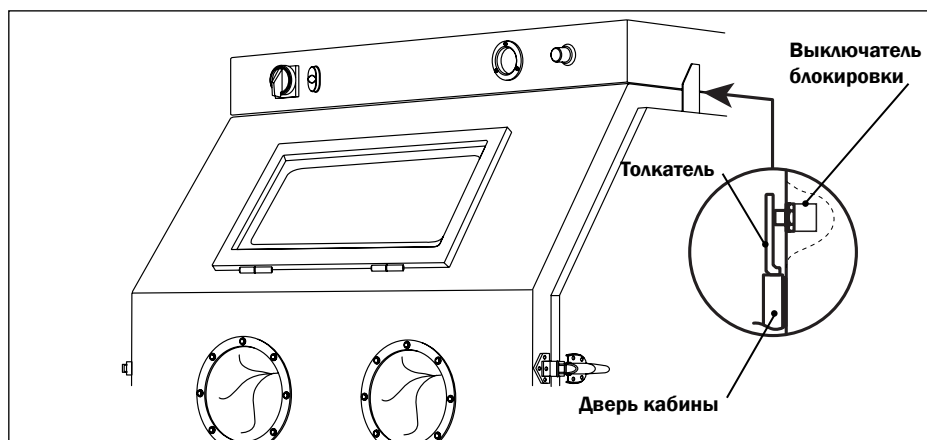


## ВНИМАНИЕ!

**Категорически запрещается препятствовать работе системы блокировки.**

**Невыполнение этого требования может привести к травме в результате неожиданного включения струи абразива.**

Для регулирования толкателя, необходимо руками согнуть его так, чтобы выключатель срабатывал при полностью закрытой двери (рис 4).



**Рис. 4.** Регулировка толкателя

Проверить работоспособность при открытой и закрытой двери. При проверке сопло направлять от двери, открывать дверь не больше, чем требуется для отключения концевого выключателя. Блокировки должны прекращать абразивоструйную очистку при открывании дверей и начинать ее выполнение при закрытых дверях.

**ПРИМЕЧАНИЕ!** Разряженное давление в кабине может вызвать деформацию дверей вовнутрь. Следует выполнять проверки при включенном вытяжном вентиляторе.

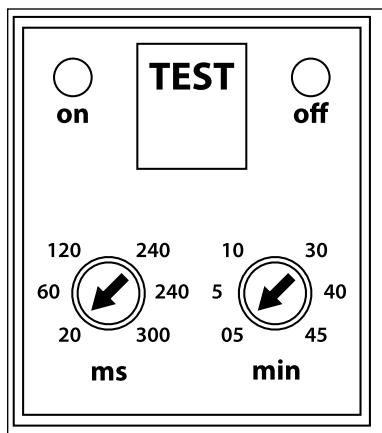
### 4.3.7 Давление импульса очистки фильтр-патрона

Отрегулировать давление импульса, используя регулятор, установленный на импульсном коллекторе. Начинать регулировку импульсного давления с 4,5 бар.

Если пульсация недостаточно очищает фильтр-патрон, увеличивать давление импульса интервалами по 0,5 бар до максимального значения 6,0 бар. Увеличение давления импульса более 6,0 бар может вызвать повреждение корпуса фильтра и самого фильтра.

Если после увеличения давления, осадок пыли на фильтр-патроне увеличивается, следует отрегулировать цикличность импульсов.

### 4.3.8 Таймер



**Рис. 5.** Регулировка длительности импульса и цикличность на таймере

Отрегулировать длительность импульса и цикличность на таймере (расположение см. на рис. 2). Для регулировки длительности импульсов следует использовать левую шкалу, а для регулировки интервала между импульсами правую шкалу.

Регулировку необходимо начинать в следующей последовательности:

Длительность импульсов

**левая шкала** - 60 мс (давление импульса 4,5 бар)

Интервал между импульсами

**правая шкала** - 5 мин.

# 5. Техническое обслуживание

## 5.1. Профилактическое обслуживание.

### 5.1.1 Ручной абразивоструйный пистолет GX

Проверить ручной абразивоструйный пистолет GX на износ. Замена крышки сопла до сквозного износа увеличивает срок службы сопла.

### 5.1.2 Пылесборник

Необходимо регулярно опорожнять пылесборник. Сначала следует проверять пылесборник не реже одного раза в день или при добавлении абразива, затем следует определить частоту проверок, учитывая интенсивность эксплуатации, загрязненность и истираемость абразива.

### 5.1.3 Сорудерживающее сито регенератора

Доступ к сити может осуществляться через дверцу регенератора. Необходимо при отключенном вытяжном вентиляторе извлекать сито и очищать его ежедневно или при загрузке абразива. Следует очищать сито чаще, если очищаемые детали дают большое количество крупных частиц. Запрещается эксплуатировать кабину, если сито не установлено на место.

### 5.1.4 Фильтр воздушной магистрали

Кабина оборудована ручным сливом конденсата из фильтра воздушной магистрали.

Сливать конденсат следует, по крайней мере, один раз в день (при необходимости чаще) или если на выходе сопла становится заметен водяной туман.

Влажный воздух мешает потоку абразива. Если удалить влагу не удастся, может потребоваться устройство осушения воздуха с охлаждением.

### 5.1.5 Рукав для абразива

Для исключения незапланированных остановок необходимо проверять рукав для абразива на отсутствие мест с истонченным материалом, особенно, на наружной поверхности.

## 5.2 Сервисное обслуживание

### 5.2.1 Перчатки

Для удобства работы оператора предусмотрены специальные перчатки, обеспечивающие удаление статического электричества. Эти перчатки необходимо периодически заменять по мере износа. Первым признаком износа перчаток могут служить чрезмерные удары статическим электричеством.

Перчатки удерживаются на месте металлическими хомутами изнутри кабины. Для замены следует ослабить хомуты с помощью отвертки, заменить перчатки и затянуть хомуты.

### 5.2.2 Сопло

Следует заменять сопло, если его диаметр увеличился максимум на 2 мм или раньше, если рабочее давление заметно уменьшилось.

Для замены сопла отвинтить гайку крепления от пистолета. Снять сопло с пистолета, потянув за него, и установить новое сопло конусным концом к форсунке. Снова навинтить гайку крепления сопла на пистолет.

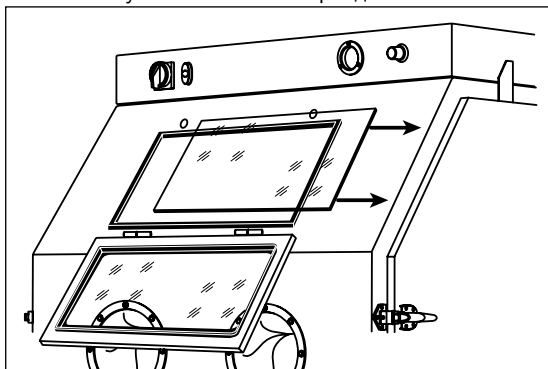
### 5.2.3 Замена сменного окна

Отвернуть два винта, расположенные на верхней кромке рамки окна, и откинуть ее.

Нажимая на сменное окно сзади через дверной проем извлечь его спереди.

Проверить прокладки рамки окна на самой рамке и на кабине. Если какая-либо прокладка повреждена, выполнить замену в соответствии с разделом 5.2.5.

**Рис. 6.** Замена внутреннего стекла



## 5.2.4 Замена смотрового окна



### **ВНИМАНИЕ!**

**Запрещается использовать для замены смотровых окон листовое стекло. Оно может разбиться при ударе и причинить серьезную травму.**

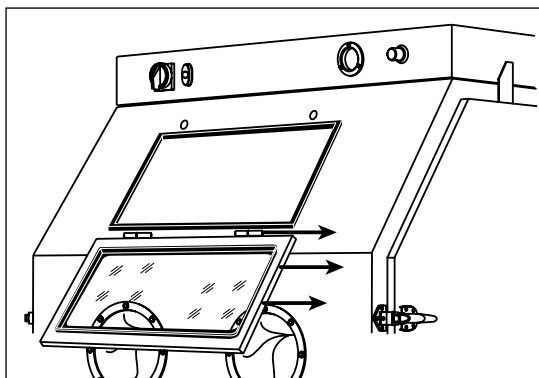
**Следует использовать только многослойное безопасное стекло, одобренное изготовителем.**

Открутить два винта, расположенные на верхней кромке рамки окна, и откинуть ее.

Снять с петель окно для предотвращения повреждения (рис. 7).

Качать рамку вверх и вниз до тех пор, пока не исчезнет сопротивление на петлях. Сдвинуть раму вправо для разделения петель. Удалить старое окно, потянув за профиль.

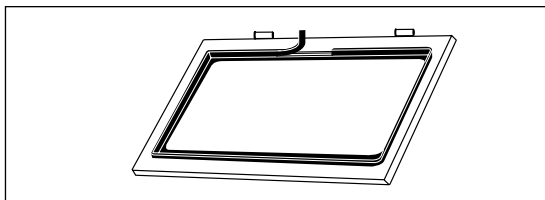
**Рис. 7.** Снятие окна



Вставить профиль окна в оконный проем, устанавливая его узкой щелью на металлическую кромку проема. Концы профиля должны соединяться в середине прямой части проема. Профиль необходимо сжать, чтобы его концы оказались плотно соединены.

Работая спереди, установить смотровое окно в широкую щель профиля.

**Рис. 8.** Замена внешнего стекла



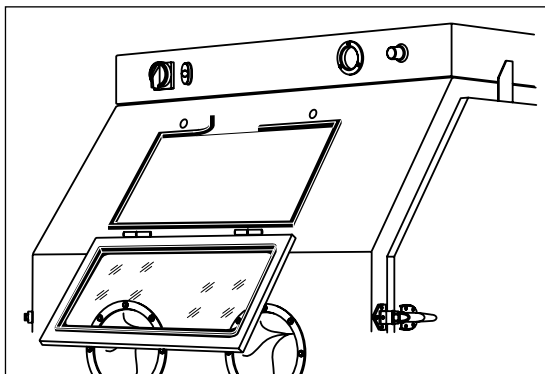
### 5.2.5 Замена прокладки окна

При первых признаках утечки абразивной пыли вокруг смотрового окна или если видны повреждения прокладок, необходимо заменять прокладку рамы окна и прокладку проема окна кабины.

При замене смотрового окна следует проверить прокладки. Смотровое окно и раму следует заменять в соответствии с указаниями в разделе 5.2.4. Полностью удалить материал старой прокладки и очистить поверхность кабины и рамы окна.

Снять защитное покрытие с небольшого участка клейкой основы прокладки толщиной 3 мм и приклеить прокладку к центру верхней кромки оконного проема, как показано на рис. 9. По мере необходимости снимая защитное покрытие с липкой основы, приклеить прокладку по всему периметру окна, включая угловые скругления, плотно прижимая прокладку для качественного склеивания. Обрезать прокладку по месту и сжать концы для герметизации.

**Рис. 9.** Замена прокладки окна





## 5.2.6 Замена картриджа фильтра



### ВНИМАНИЕ!

Невыполнение требования о средств индивидуальной защиты при обслуживании запыленных зон кабины и пылесборника, а также при опорожнении пылесборника может привести к серьезному раздражению глаз, заболеваниям легких или смертельному исходу.

Токсичность и риск для здоровья зависят от типа абразива и пыли, возникающей при струйной обработке.

Респиратор должен быть допущен к применению с соответствующим типом возникающей пыли.

Необходимо определить все материалы, удаляемые струйной очисткой и получить сертификат безопасности для абразива.

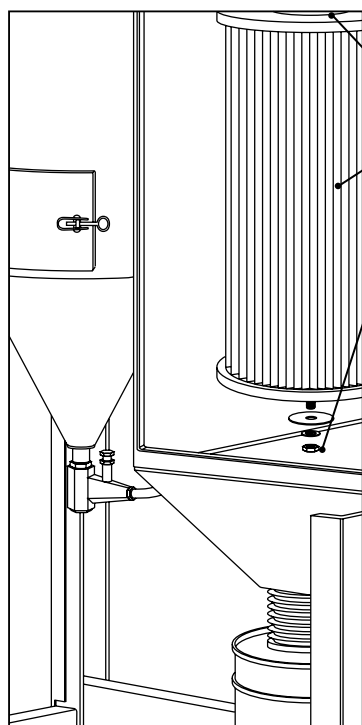


Рис. 10. Замена фильтр-патрона

Уплотняющая прокладка фильтр-патрона

Фильтр-патрон

Гайка крепления

Закрывать подачу воздуха в кабины и полностью стравить воздух из импульсного коллектора.

Открутить барашковые гайки и удалить дверь фильтр-камеры. Открутить гайку крепления фильтр-патрона, снять шайбу и прокладку.

Для удаления фильтр-патрона потянуть его прямо вниз до освобождения удерживающей планки.

Очистить все повторно используемые детали, особенно вокруг зоны герметизации фильтр-патрона. Полностью удалить остатки материала прокладки с уплотняемой поверхности.

Установить новый фильтр-патрон и прокладку. Затягивать гайку крепления до тех пор, пока фильтр-патрон будет невозможно повернуть рукой. Затянуть гайку на один полный оборот дополнительно.

Проверить прокладку дверцы фильтр-камеры, убедиться в ее полной исправности и отсутствии препятствий для ее герметизации. При необходимости заменить прокладку. Установить дверцу фильтр-камеры на место. Выполнить приработку картриджа в соответствии с разделом 5.2.7.

### 5.2.7 Приработка фильтр-патрона

Новый фильтр-патрон должен пройти приработку. Фильтр-патроны прирабатывают, создавая осадок пыли на фильтрующем материале перед началом использования импульсов. Для отключения импульсов необходимо выключить регулятор импульсов (установить на 0 бар).

Эксплуатировать кабину без импульсов приблизительно два часа или до уменьшения видимости, в зависимости от того, что произойдет раньше. Затем установить регулятор импульсов на 4,5 бар для запуска импульсов.

## 6. Поиск и устранение неисправностей



### ВНИМАНИЕ!

Для исключения серьезных травм при поиске и устранении неисправности необходимо соблюдать следующие требования.

- Отключить воздух, заблокировать подачу воздуха и повесить на входной кран табличку.
- Если для проверки органов контроля необходим воздух, необходимо обязательно воспользоваться помощью другого лица для выполнения следующих действий:
- Надежно удерживать сопло.
- Нажимать на педаль.
- Недопустимо ставить перемычку для шунтирования педали, блокировать ее в рабочем положении.
- Недопустимо отключать систему блокировки дверей или иным способом препятствовать ее работе.

## 6.1. Плохая видимость.

**6.1.1** Плохая видимость может быть обусловлена загрязнением фильтр-патрона. Необходимо регулярно опорожнять пылесборник. Необходимо проверять и при необходимости заменять фильтр-патрон.

**6.1.2** Вращение двигателя в обратном направлении. Двигатель должен вращаться в направлении, указанном стрелкой на корпусе. Если двигатель не вращается в нужном направлении, отключить источник электропитания и вывесить на нем табличку, подключить выводы двигателя, как показано на табличке двигателя.

**6.1.3** Применение слишком мелкого, изношенного или мягкого абразива, который быстро разрушается, может привести к плохой видимости.

**6.1.4** Заслонка впуска слишком сильно закрыта, ограничивая приток воздуха в кабину. Отрегулировать статическое разряжение в соответствии с разделом 4.3.5.

**6.1.5** Необходимо открыть заслонку впуска. Ограничение потока заслонкой впуска уменьшает движение воздуха в кабине. Открыть заслонку в соответствии с разделом 4.3.5.

**6.1.6** Вызванное износом отверстие в гибком шланге между бункером кабины и входом регенератора или выходом регенератора и входом фильтр-камеры. Заменить шланг и проложить его с минимально возможным количеством изгибов для предотвращения износа.

**6.1.7** Открыта дверца регенератора. При эксплуатации кабины дверца регенератора должна быть закрыта.

**6.1.8** Проверить гибкий шланг между бункером кабины и входом регенератора на отсутствие засорения.

## 6.2 Чрезмерно высокое потребление абразива

**6.2.1** Открыта или находится не на месте дверца регенератора, плохо установлена или изношена прокладка. Проникновение воздуха в этом месте в регенератор вызывает движение абразива в пылесборник. ЗАПРЕЩАЕТСЯ работать с системой при открытой дверце.

**6.2.2** Вызванное износом отверстие в регенераторе, или утечка в швах регенератора. Следует полностью проверить регенератор на наличие негерметичностей с отрицательным давлением.

**6.2.3** Заслонка впуска открыта слишком сильно. Отрегулировать статическое разряжение в соответствии с указаниями в разделе 4.3.5.

**6.2.4** Применение слишком мелкого, изношенного или мягкого абразива, который быстро разрушается.

**6.2.5** Слишком высокое для применяемого абразива давление в сопле вызывает разрушение материала.

## **6.3 Снижение скорости абразивоструйной очистки**

**6.3.1** Низкий уровень абразива, что приводит к снижению его потока. Проверить уровень абразива и добавить, если он низок.

**6.3.2** Неправильная регулировка дозатора абразива. Отрегулировать в соответствии с указаниями в разделе 4.2.5.

**6.3.3** Сниженное давление воздуха. Может быть вызвано неисправностью регулятора, загрязненностью фильтр-патрона в фильтр-камере, частично закрытым воздушным клапаном, утечкой воздуховода или других используемых элементов пневматики.

**6.3.4** Закупоривание линии абразива или пистолета. Закупоривание может произойти в результате отсутствия сороудерживающей решетки или неверной регулировкой дозатора абразива, что ведет к слишком сильному потоку абразива. Проверить регулировку клапана абразива в соответствии с указаниями в разделе 4.2.5.

**6.3.5** Износ деталей пистолета, таких как сопло или форсунка. Проверить и заменить изношенные детали.

**6.3.6** Износ рукавов для абразива. Проверить рукавов на отсутствие утечек и мягких участков. Заменить в случае износа или повреждения.

**6.3.7** Форсунка в пистолете разрегулирована. Проверить регулировку в соответствии с указаниями в разделе 4.3.2.

**6.3.8** Влажный абразив. Множественные комки или закупорка абразива в области клапана-дозатора могут быть вызваны влагой. См. раздел 6.5.

## 6.4 Забитое сопло

**6.4.1** Повреждение или отсутствие сита регенератора ведет к прохождению больших частиц и забивке сопла. Заменить или переустановить при необходимости.

**6.4.2** Смесь слишком богата абразивом. Отрегулировать параметры воздушно-абразивной смеси в соответствии с указаниями в разделе 4.3.3.

## 6.5. Образование в абразиве «комков» (слеживание, спекание)

**6.5.1** Частое образование комков или закупоривания в клапане-дозаторе может быть вызвано влажным абразивом. Абразив становится влажным из-за частиц, которые становятся смоченными из-за наличия влаги в линии сжатого воздуха или из-за абсорбции.

**6.5.2** Чтобы исключить загрязнение абразива из-за обрабатываемой детали, все детали, помещаемые в кабину, должны быть чистыми и сухими. Если детали маслянистые или жирные, перед абразивоструйной очисткой необходимо их обезжирить и высушить.

**6.5.3** Причинами содержания в сжатом воздухе жидкости могут быть перегрев вследствие неисправности компрессора, масло насосов или влага в линии воздуха, слишком длинная воздушная магистраль (это позволяет влаге конденсироваться на ее внутренних поверхностях) и высокая влажность. Необходимо регулярно сливать воду из фильтров и ресивера. Если проблема не устраняется, может оказаться необходимым чаще заменять абразив или установить устройство осушения воздуха с охлаждением.

**6.5.4** Абсорбция: некоторые абразивы часто склонны к поглощению влаги из воздуха, особенно это относится к абразивам с малым размером частиц в зонах высокой влажности. Когда кабина не используется, абразив следует хранить в герметичной таре.

## 6.6 При нажатии педали из сопла не поступает ни воздух, ни абразив.

**6.6.1** Блокировки дверей не действуют. Проверить регулировку в соответствии с указаниями в разделе 4.3.6.

**6.6.2** Закупорка или утечка в линиях управления. Проверить все трубопроводы и полимерные трубы на отсутствие закупорки и утечек.

6.6.3 Трехходовой клапан педали неисправен или не включен. Проверить выравнивание педали и давление в линиях впуска и выпуска.

6.6.4 Убедиться, что не перепутаны линии на педали. Пневмотрубка от клапана редукционного 13, см. рис. 16, подходит к входу «2» на педали - правый канал. Пневмотрубка от выхода «1» педали - левый канал должна уходить к регулятору рабочего давления 5, см. рис. 16.

6.6.5 Убедиться, что клапан редукционный 3(см. Рис. 1) не установлен на слишком низкое давление. Минимальное давление – 3 бар.

6.6.6 Убедиться, что компрессор включен и воздух подается в кабину.

6.6.7 Сопло забито. См. раздел 6.4.

## **6.7 Работа кабины не прекращается при отпускании педали.**

6.7.1 Убедиться, что трехходовой клапан в педали выпускает воздух при отпускании педали. Если нет, проверить отсутствие закупорки в линии и отсутствие неисправности переключателя.

## **6.8 Закупорка шланга абразива**

6.8.1 Препятствия для прохождения абразива. Обычно вызваны слишком большим содержанием абразива в смеси. Отрегулировать параметры воздушно-абразивной смеси в соответствии с указаниями в разделе 4.3.3.

6.8.2 Влажный или сырой абразив. См. раздел 3.5.

## **6.9 Выброс абразива**

6.9.1 Сильный поток абразива. Отрегулировать в соответствии с указаниями в разделе 6.3.

## **6.10 Слабое всасывание в шланге абразива**

6.10.1 Недостаточная подача воздуха. См. табл. 3.1.

6.10.2 Форсунка нуждается в регулировке. Проверить регулировку в соответствии с указаниями в разделе 4.3.2.

**6.10.3** Сопло изношено. Заменить при износе 2 мм или больше.

**6.10.4** Закупорка шланга абразива или сопла. См. раздел 4.3.

**6.10.5** Неверное сочетание размеров форсунки и сопла. См. табл. 3.1.

**6.10.6** Защитная трубка форсунки выступает за конец форсунки. Обрезать трубку вровень с форсункой.

## **6.11 Отдача через шланг абразива**

**6.11.1** Закупорка в сопле. Снять сопло и проверить на отсутствие закупорки.

**6.11.2** Форсунка может быть слишком большой для сопла. См. табл. 3.1.

## **6.12 Удары статическим электричеством**

**6.12.1** Кабина и/или оператор не заземлены. Абразивоструйная обработка вызывает накопление статического электричества. Для предотвращения этого кабина должна быть заземлена. См. раздел 4.1.

Если удары повторяются, возможно, статическое электричество накапливается на операторе. Соединить оператора с кабиной коротким заземляющим проводом (таким, как заземляющий браслет/манжета для рук).

**6.12.2** Детали должны находиться в контакте с решеткой. Если статическое электричество не рассеивается в металлической кабине, оно накапливается в обрабатываемой детали.

## **6.13 Утечка пыли из фильтр-камеры**

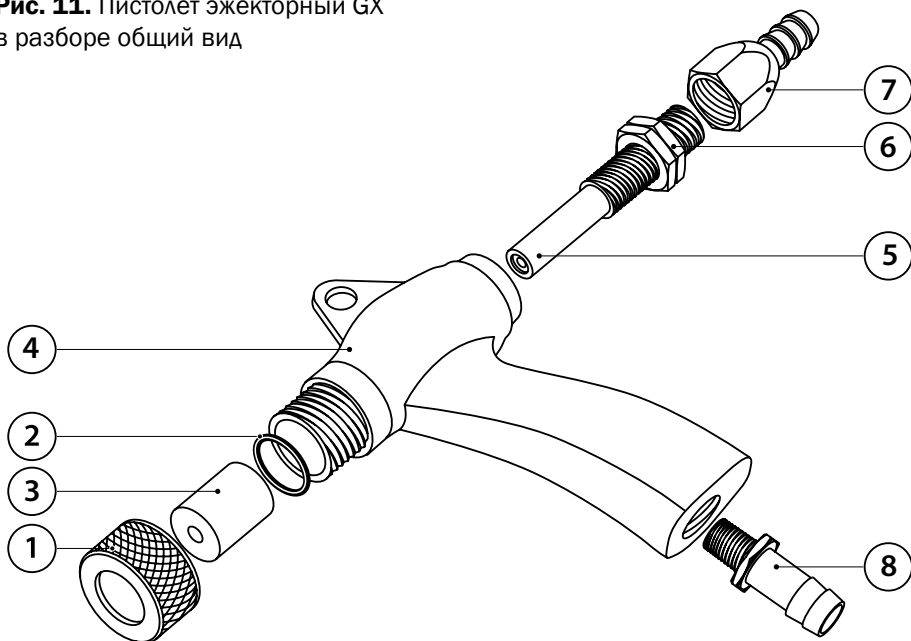
**6.13.1** Поврежден или плохо закреплен фильтр-патрон. Проверить фильтр-патрон в фильтр-камере.

**6.13.2** Неисправно уплотнение на дверце фильтр-камеры. Проверить уплотнение и при необходимости заменить.

## 7. Запасные части

### 7.1. Пистолет абразивоструйный GX.

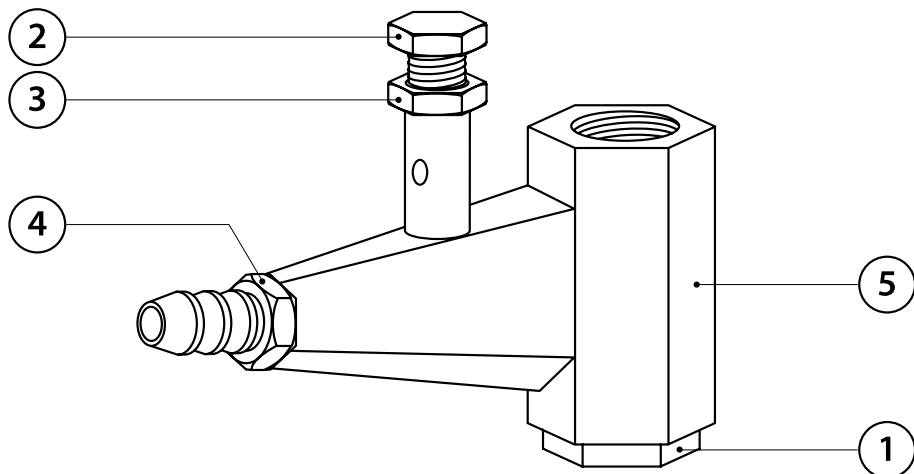
**Рис. 11.** Пистолет эжекторный GX  
в разборе общий вид



№ поз.	Код заказа	Описание	КОЛ-ВО
	15300	Пистолет абразивоструйный ручной эжекторный, без сопла	
1	15313	Гайка прижимная	1
2	15312	Кольцо резиновое	1
3	15508	Сопло карбид вольфрама GXТ-8.0 (стандарт)	1
4	15304	Корпус пистолета	1
5	15307	Форсунка пистолета Ø 4,0 мм (стандарт)	1
6	15309	Гайка фиксирующая	1
7	15310	Фитинг латунь, накидная гайка на рукав ВД 13 мм	1
8	15311	Фитинг латунь, 6 ½"х Елка на рукав ВД 13 мм	1



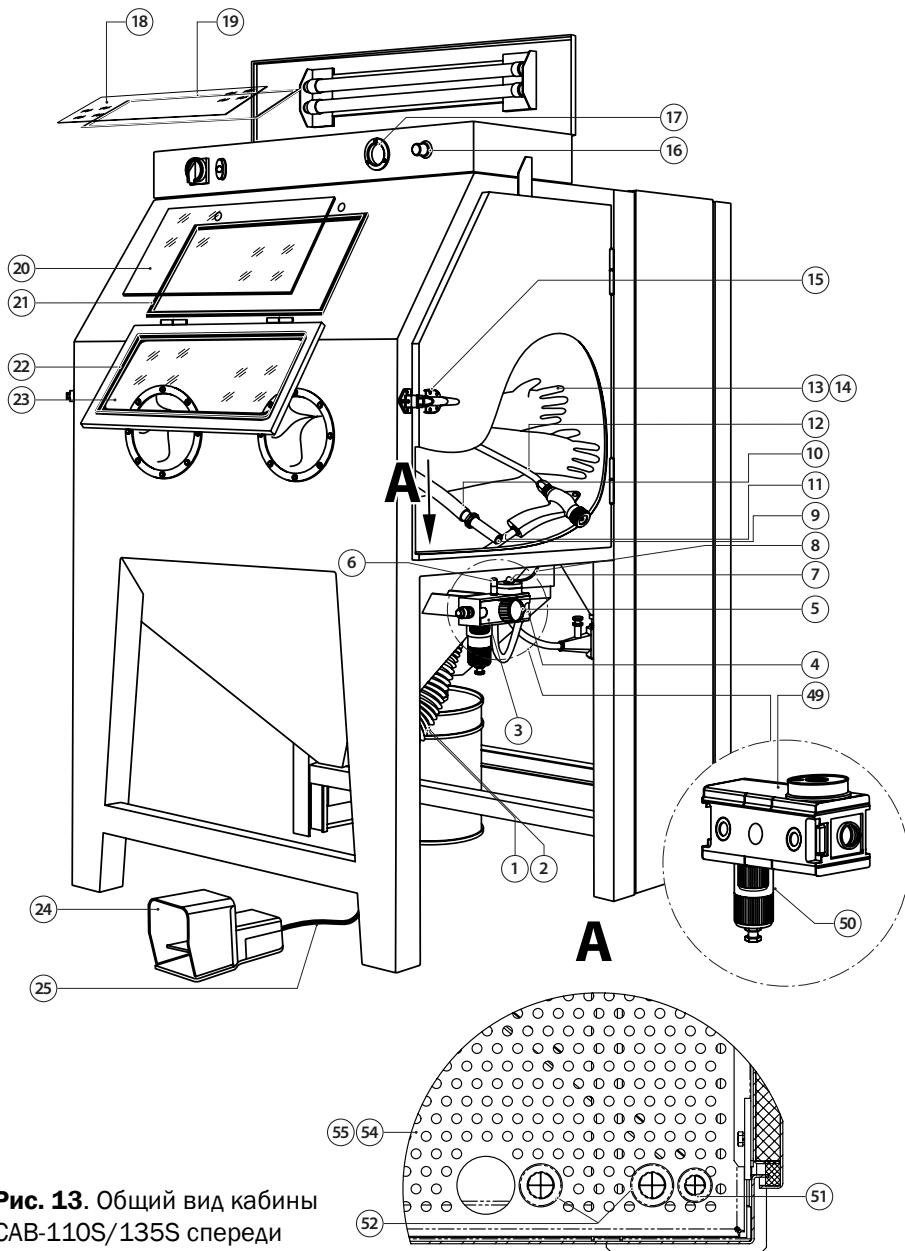
## 7.2. Дозатор абразива.



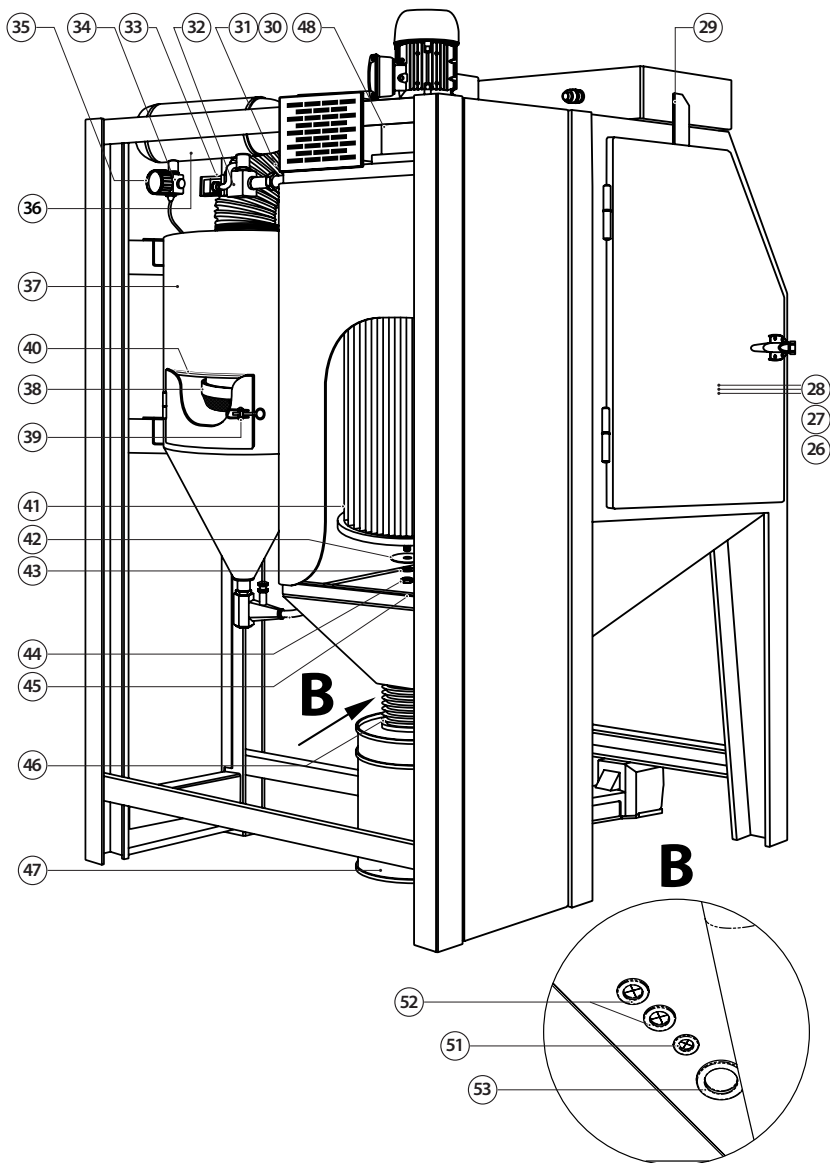
**Рис. 12.** Дозатор абразива общий вид

№ поз.	Код заказа	Описание	КОЛ-ВО
	15920	Дозатор абразива	
1	15921	Гайка	1
2	15922	Винт регулирующий	1
3	15923	Гайка фиксирующая	1
4	15924	Фитинг латунь, G 3/8" на рукав ВД 13 мм	1
5	15925	Корпус	1

### 7.3. Спецификация кабины.



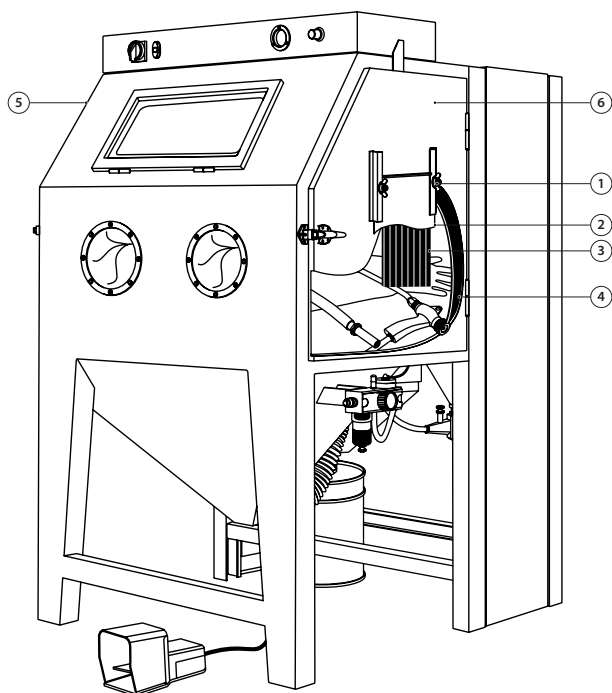
**Рис. 13.** Общий вид кабины CAB-110S/135S спереди



**Рис. 14.** Общий вид кабины CAB-110S/135S сзади

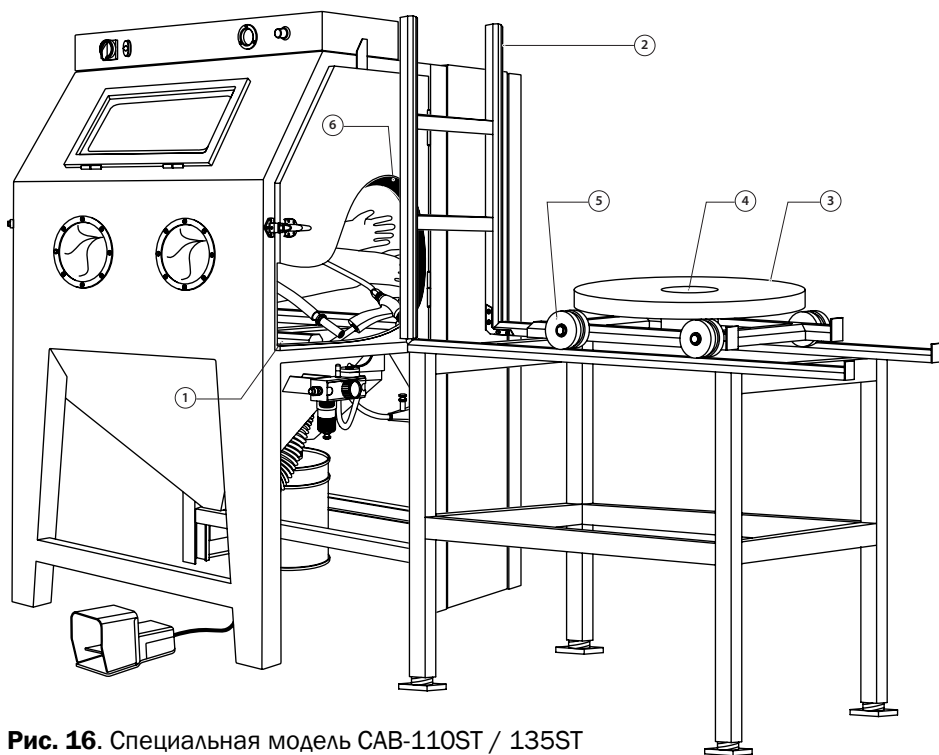
№ поз.	Код заказа	Описание	КОЛ-ВО
1	15980	Рукав Ø 100, 1м	2 м
2	16045	Хомут для рукава Ø 100	1
3	15904	Фильтр основной линии 1/2"	1
4	15905	Клапан редукционный 1/2"	1
5	24407	Манометр 1/4" (в резиновой оболочке)	1
6	16011	Коллектор цанговый двухуровневый поворотный	1
7	16025	Пневмо-фитинг 1/4" x Трубка В.Д. 6 мм, угловой	2
8	15990	Пневмошланг полиуретан 6x4 мм, 1м	1
9	15901	Обдувочное сопло, резина	1
10	15960	Рукав резиновый на обдувочный пистолет (ВАН), 1м	3 м
11	15955	Рукав ПУ, линия абразива (прозрачный), 1м	3 м
12	15975	Рукав резиновый, линия воздуха (коричневый), 1м	3 м
13	15605	Перчатки RGS 800 мм, пара	1
14	16047	Хомут для перчаток	2
15	16069	Ручка дверцы кабины, комплект	1
16	15932	Регулятор рабочего давления 1/4"	1
17	15934	Манометр панельный 1/8"	1
18	16078	Стекло светильника, Размер 646 x 186 мм	1
19	16064	Профиль фасонный, Стекло внешнее / Стекло светильника, 1м	3 м
20	16077	Стекло внутреннее для САВ-серии, Размер 500 x 320 мм	1
21	16049	Уплотнитель 3x15, Стекло внутреннее/Электрошкаф, 1м	2 м
22	16064	Профиль фасонный, Стекло внешнее / Стекло светильника, 1м	2 м
23	16076	Стекло внешнее (триплекс), Размер 476 x 296 мм	1
24	15931	Педаля пневматическая	1
25	16026	Пневмо-фитинг М5 x 6 мм	1
26	15812	Дверь кабины САВ-110S/САВ-110P, левая глухая	1
	15813	Дверь кабины САВ-135S/САВ-135P, левая глухая	1
27	15814	Дверь кабины САВ-110S/110P, правая глухая	1
	15815	Дверь кабины САВ-135S/135P, правая глухая	1
28	17540	Уплотнитель, Дверь кабины, 1м	5 м
29	15930	Пневматический концевой выключатель 1/8"	2

30	15985	Рукав Ø 150, 1м	1 м
31	16046	Хомут для рукава Ø 150	1
32	15974	Пневмоклапан импульсный 3/4"	1
33	16106	Таймер управления имп. пневмоклапанном	1
34	15932	Регулятор давления линии очистки выходного воздушного фильтра 1/4", регул.0.5–10 бар	1
35	30404	Манометр 1/8" (в резиновой оболочке)	1
36	15816	Ресивер импульсной очистки фильтра	1
37	15817	Сепаратор циклонный R-350, без сита (для CAB-110 P/S)	1
	15818	Сепаратор циклонный R-400, без сита (для CAB-135 P/S)	1
38	15819	Сито	1
39	16037	Защелка дверь циклона, комплект	1
40	17541	Уплотнитель, Дверца циклона, 1м	2 м
41	15971	Фильтр-патрон 10 м² для DC-550 - DC-1500 (для CAB-110S)	1
	15969	Фильтр-патрон 15 м² для DC-550 - DC-1500 (для CAB-135S)	1
42	16217	Шайба М8 увеличенная	1
43	16200	Шайба М8	1
44	16207	Гайка барашковая М8	1
45	16053	Уплотнитель 5x20, Дверь фильтркамеры, 1м	4 м
46	15985	Рукав Ø 150, 1м	1 м
47	16079	Сборник пыли, 20 л	1
48	17547	Лопатка вентилятора DC-1100 (CAB-110P)	1
	17548	Лопатка вентилятора DC-1500 (CAB-135P)	1
49	15926	Пневматический блок управления 1/2"	1
50	15928	Стакан для конденсата, пластик	1
51	16390	Ввод мембранный Ø 22,5 мм	2
52	16391	Ввод мембранный Ø 28 мм	4
53	16397	Заглушка мембранная Ø 47 мм	1
54	15840	Столешница для CAB_110, левая	1
	15842	Столешница для CAB_135, левая	1
55	15841	Столешница для CAB_110, правая	1
	15843	Столешница для CAB_135, правая	1



**Рис. 15.** Специальная модель CAB-110SD / 135SD

№ поз.	Код заказа	Описание	КОЛ-ВО
1	17549	Ручка	2
2	17550	Заслонка	1
3	17551	Резиновая шторка	1
4	15810	Комплект облицовки резиновый защитный для CAB-110	1
	15811	Комплект облицовки резиновый защитный для CAB-135	1
5	15835	Дверь кабины CAB-110S/CAB-110P, левая проходная	1
	15837	Дверь кабины CAB-135S/CAB-135P, левая проходная	1
6	15836	Дверь кабины CAB-110S/110P, правая проходная	1
	15838	Дверь кабины CAB-135S/135P, правая проходная	1

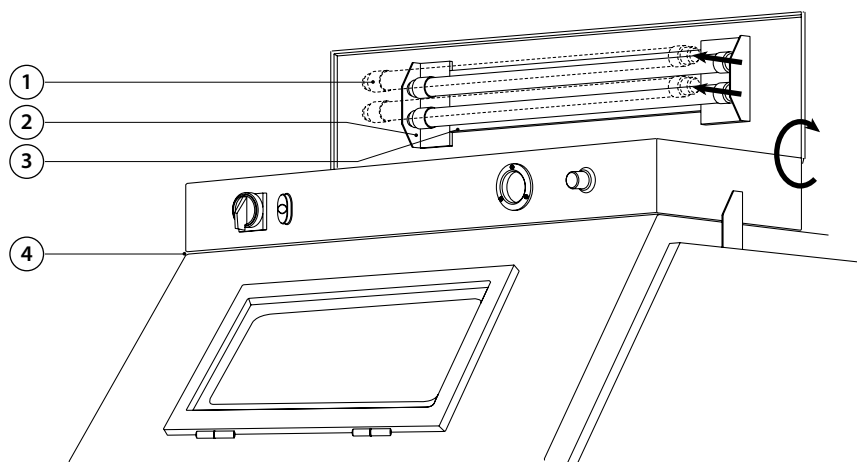


**Рис. 16.** Специальная модель CAB-110ST / 135ST

№ поз.	Код заказа	Описание	КОЛ-ВО
1	15705	Пути внутренние CAB-110	1
	15706	Пути внутренние CAB-135	1
2	15703	Пути наружные для стола Ø 500 мм	1
	15704	Пути наружные для стола Ø 800 мм	1
3	15707	Стол передвижной ручной поворотный Ø 500 мм	1
	15708	Стол передвижной ручной поворотный Ø 800 мм	1
4	15714	Подшипник корпусной, для TTS/TTM	1
5	15713	Колесо с подшипником, для TTM	1
6	15810	Комплект облицовки резиновый защитный для CAB-110	1
	15811	Комплект облицовки резиновый защитный для CAB-135	1

## 7.4. Монтаж освещения.

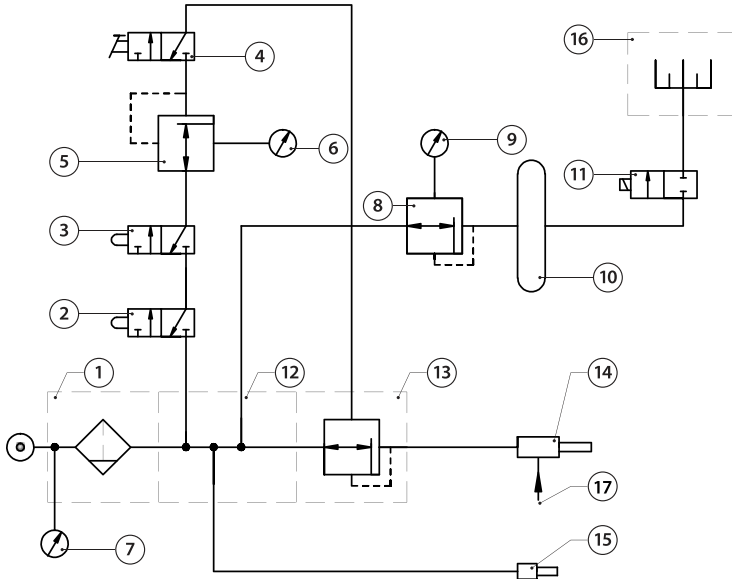
Рис. 17. Замена люминесцентной лампы



№ поз.	Код заказа	Описание	кол-во
1	16122	Лампа люминесцентная, 30 Вт	2
2	16121	Светильник люминесцентный в сборе, 2х30 Вт	1
3	16123	Отражатель лампы	1
4	16049	Уплотнитель 3х15, Стекло внутреннее/Электрощкаф, 1м	1 м



## 7.5. Пневматическая схема.



**Рис. 18.** Пневматическая схема CAB-110S/ 135S

№ поз.	Код заказа	Описание
1	15904	Влагоотделитель (вх. Фильтр)
2	15930	Пневматический концевой выключатель 1/8"
3	15930	Пневматический концевой выключатель 1/8"
4	15931	Педаля пневматическая
5	15932	Регулятор рабочего давления 1/4"
6	15934	Манометр 1/8" панельный
7	30404	Манометр 1/8"(в резиновой оболочке)
8	15932	Регулятор давления линии очистки выходного воздушного фильтра 1/4", регул.0.5–10 бар
9	24407	Манометр 1/4" (в резиновой оболочке)
10	15816	Ресивер импульсной очистки фильтра
11	15974	Пневмоклапан импульсный 3/4"
12	16011	Коллектор цанговый двухуровневый поворотный
13	15905	Клапан редукционный 1/2"
14	15300	Пистолет GX абразивоструйный ручной эжекторный, без сопла

15	15901	Обдувочное сопло, резина
16	15971	Фильтр-патрон 10 м <sup>2</sup> для DC-550 - DC-1500 (для САВ-110S)
	15969	Фильтр-патрон 15 м <sup>2</sup> для DC-550 - DC-1500 (для САВ-135S)
17		Линия абразива

## 7.6. Электрическая схема

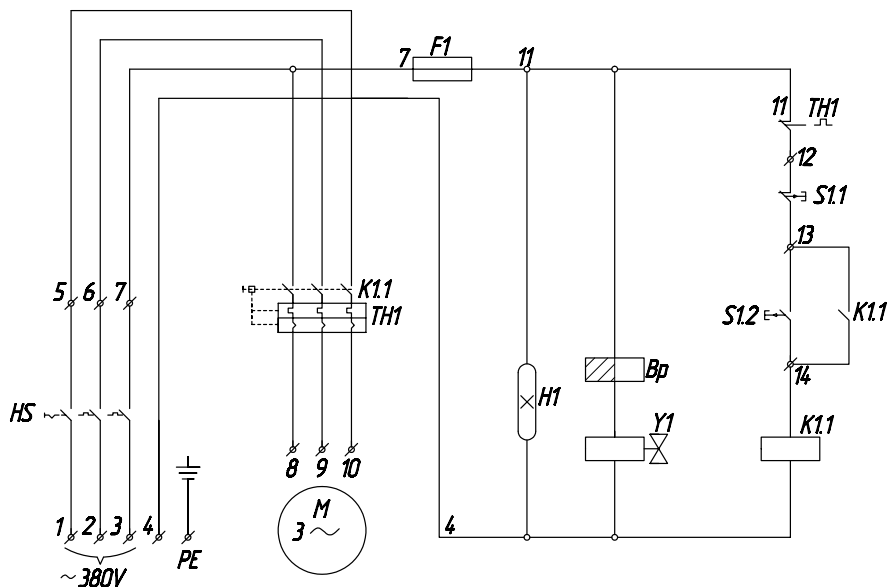


Рис. 19. Электрическая схема САВ-110S/ 135S

Поз.	Код заказа	Описание
S1	16099	Кнопка двойная ВКЛ. / ВЫКЛ.
HS	16100	Выключатель ручной кулачковый (рубильник) 0-I
M	16134	Электродвигатель 1,10 кВт (для САВ-110)
	16135	Электродвигатель 1,50 кВт (для САВ-135)
K1.1	16104	Контактор электромагнитный
H1	16121	Светильник люминисцентный 2x30 Watt
Bp	16106	Импульсное реле времени
Y1	15974	Пневмоклапан импульсный 3/4", 220 V~
TH1	16105	Термореле
F1	16133	Предохранитель



Model / Modell / Модель

Serial number / Seriennummer / Серийный номер

Selling organization title and legal address  
Vollständige Händleradresse  
Название и юридический адрес продающей организации

---

---

---

Selling organization stamp here  
Firmenstempel (Händler)  
Место печати продающей организации

Seller (Name, signature)  
Verkäufer (Name, Unterschrift)  
Продавец (Ф.И.О., подпись)

Date of sale  
Kaufdatum  
Дата продажи

I know the conditions and terms of this warranty. Delivery set completeness, functioning, and lack of mechanical defects is checked. Buyer (organization title, name, signature):  
Die Garantiebedingungen sind mir bekannt, die Lieferung ist vollständig und unbeschädigt.  
Käufer (Firma, Name, Unterschrift)  
С условиями гарантии ознакомлен. Изделие на комплектность, работоспособность, отсутствие механических повреждений проверено. Покупатель (наименование организации, Ф.И.О., подпись):